



**Split Air Conditioner
Blue Angel**

**POWER SOURCE:
220-240V~50Hz,1ph
RATED INPUT: 2200W**



USER MANUAL

Read this manual carefully before installing or operating your new air conditioning unit. Make sure to save this manual for future reference.



CAUTION: Risk of fire

Table of Contents

Safety Precautions	04
---------------------------------	-----------

Owner's Manual

Unit Specifications and Features.....	08
--	-----------

1. Indoor unit display.....	08
-----------------------------	----

2. Operating temperature.....	09
-------------------------------	----

3. Other features	10
-------------------------	----

4. Setting angle of airflow.....	11
----------------------------------	----

5. Manual operation (without Remote).....	11
---	----

Care and Maintenance.....	12
----------------------------------	-----------

Troubleshooting.....	14
-----------------------------	-----------

Installation Manual

Accessories.....	17
Installation Summary - Indoor Unit	18
Unit Parts.....	19
Indoor Unit Installation.....	20
1. Select installation location.....	20
2. Attach mounting plate to wall.....	20
3. Drill wall hole for connective piping.....	21
4. Prepare refrigerant piping.....	22
5. Connect drain hose.....	24
6. Connect signal and power cables.....	25
7. Wrap piping and cables.....	26
8. Mount indoor unit.....	27
Outdoor Unit Installation.....	27
1. Select installation location.....	27
2. Install drain joint.....	28
3. Anchor outdoor unit.....	28
4. Connect signal and power cables.....	30
Refrigerant Piping Connection.....	31
A. Note on Pipe Length.....	31
B. Connection Instructions –Refrigerant Piping.....	31
1. Cut pipe.....	31
2. Remove burrs.....	32
3. Flare pipe ends.....	32
4. Connect pipes.....	32
Air Evacuation.....	34
1. Evacuation Instructions.....	34
2. Note on Adding Refrigerant.....	35
Electrical and Gas Leak Checks.....	36
Test Run.....	37

Safety Precautions

Read Safety Precautions Before Operation and Installation

Incorrect installation due to ignoring instructions can cause serious damage or injury.

The seriousness of potential damage or injuries is classified as either a **WARNING** or **CAUTION**.



WARNING

This symbol indicates the possibility of personnel injury or loss of life.



CAUTION

This symbol indicates the possibility of property damage or serious consequences.



WARNING

This appliance can be used by children aged from 8 years and above and persons with reduced physical, sensory or mental capabilities or lack of experience and knowledge if they have been given supervision or instruction concerning use of the appliance in a safe way and understand the hazards involved. Children shall not play with the appliance. Cleaning and user maintenance shall not be made by children without supervision (European Union countries).

This appliance is not intended for use by persons (including children) with reduced physical, sensory or mental capabilities, or lack of experience and knowledge, unless they have been given supervision or instruction concerning use of the appliance by a person responsible for their safety. Children should be supervised to ensure that they do not play with the appliance.



WARNINGS FOR PRODUCT USE

- If an abnormal situation arises (like a burning smell), immediately turn off the unit and disconnect the power. Call your dealer for instructions to avoid electric shock, fire or injury.
- **Do not** insert fingers, rods or other objects into the air inlet or outlet. This may cause injury, since the fan may be rotating at high speeds.
- **Do not** use flammable sprays such as hair spray, lacquer or paint near the unit. This may cause fire or combustion.
- **Do not** operate the air conditioner in places near or around combustible gases. Emitted gas may collect around the unit and cause explosion.
- **Do not** operate your air conditioner in a wet room such as a bathroom or laundry room. Too much exposure to water can cause electrical components to short circuit.
- **Do not** expose your body directly to cool air for a prolonged period of time.
- **Do not** allow children to play with the air conditioner. Children must be supervised around the unit at all times.
- If the air conditioner is used together with burners or other heating devices, thoroughly ventilate the room to avoid oxygen deficiency.
- In certain functional environments, such as kitchens, server rooms, etc., the use of specially designed air-conditioning units is highly recommended.

CLEANING AND MAINTENANCE WARNINGS

- Turn off the device and disconnect the power before cleaning. Failure to do so can cause electrical shock.
- **Do not** clean the air conditioner with excessive amounts of water.
- **Do not** clean the air conditioner with combustible cleaning agents. Combustible cleaning agents can cause fire or deformation.

CAUTION

- Turn off the air conditioner and disconnect the power if you are not going to use it for a long time.
- Turn off and unplug the unit during storms.
- Make sure that water condensation can drain unhindered from the unit.
- **Do not** operate the air conditioner with wet hands. This may cause electric shock.
- **Do not** use device for any other purpose than its intended use.
- **Do not** climb onto or place objects on top of the outdoor unit.
- **Do not** allow the air conditioner to operate for long periods of time with doors or windows open, or if the humidity is very high.

ELECTRICAL WARNINGS

- Only use the specified power cord. If the power cord is damaged, it must be replaced by the manufacturer, its service agent or similarly qualified persons in order to avoid a hazard.
- Keep power plug clean. Remove any dust or grime that accumulates on or around the plug. Dirty plugs can cause fire or electric shock.
- **Do not** pull power cord to unplug unit. Hold the plug firmly and pull it from the outlet. Pulling directly on the cord can damage it, which can lead to fire or electric shock.
- **Do not** modify the length of the power supply cord or use an extension cord to power the unit.
- **Do not** share the electrical outlet with other appliances. Improper or insufficient power supply can cause fire or electrical shock.
- The product must be properly grounded at the time of installation, or electrical shock may occur.
- For all electrical work, follow all local and national wiring standards, regulations, and the Installation Manual. Connect cables tightly, and clamp them securely to prevent external forces from damaging the terminal. Improper electrical connections can overheat and cause fire, and may also cause shock. All electrical connections must be made according to the Electrical Connection Diagram located on the panels of the indoor and outdoor units.
- All wiring must be properly arranged to ensure that the control board cover can close properly. If the control board cover is not closed properly, it can lead to corrosion and cause the connection points on the terminal to heat up, catch fire, or cause electrical shock.
- If connecting power to fixed wiring, an all-pole disconnection device which has at least 3mm clearances in all poles, and have a leakage current that may exceed 10mA, the residual current device(RCD) having a rated residual operating current not exceeding 30mA, and disconnection must be incorporated in the fixed wiring in accordance with the wiring rules.

TAKE NOTE OF FUSE SPECIFICATIONS

The air conditioner's circuit board (PCB) is designed with a fuse to provide overcurrent protection. The specifications of the fuse are printed on the circuit board ,such as : T3.15A/250VAC, T5A/250VAC, T3.15A/250VAC, T5A/250VAC, T20A/250VAC, T30A/250VAC,etc.
NOTE: For the units with R32 or R290 refrigerant , only the blast-proof ceramic fuse can be used.

 **WARNINGS FOR PRODUCT INSTALLATION**

1. Installation must be performed by an authorized dealer or specialist. Defective installation can cause water leakage, electrical shock, or fire.
2. Installation must be performed according to the installation instructions. Improper installation can cause water leakage, electrical shock, or fire.
(In North America, installation must be performed in accordance with the requirement of NEC and CEC by authorized personnel only.)
3. Contact an authorized service technician for repair or maintenance of this unit. This appliance shall be installed in accordance with national wiring regulations.
4. Only use the included accessories, parts, and specified parts for installation. Using non-standard parts can cause water leakage, electrical shock, fire, and can cause the unit to fail.
5. Install the unit in a firm location that can support the unit's weight. If the chosen location cannot support the unit's weight, or the installation is not done properly, the unit may drop and cause serious injury and damage.
6. Install drainage piping according to the instructions in this manual. Improper drainage may cause water damage to your home and property.
7. For units that have an auxiliary electric heater, **do not** install the unit within 1 meter (3 feet) of any combustible materials.
8. **Do not** install the unit in a location that may be exposed to combustible gas leaks. If combustible gas accumulates around the unit, it may cause fire.
9. Do not turn on the power until all work has been completed.
10. When moving or relocating the air conditioner, consult experienced service technicians for disconnection and reinstallation of the unit.
11. How to install the appliance to its support, please read the information for details in "indoor unit installation" and "outdoor unit installation" sections .

Note about Fluorinated Gasses(Not applicable to the unit using R290 Refrigerant)

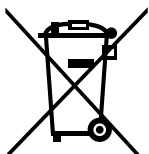
1. This air-conditioning unit contains fluorinated greenhouse gasses. For specific information on the type of gas and the amount, please refer to the relevant label on the unit itself or the "Owner's Manual - Product Fiche " in the packaging of the outdoor unit. (European Union products only).
2. Installation, service, maintenance and repair of this unit must be performed by a certified technician.
3. Product uninstallation and recycling must be performed by a certified technician.
4. For equipment that contains fluorinated greenhouse gases in quantities of 5 tonnes of CO₂ equivalent or more, but of less than 50 tonnes of CO₂ equivalent, If the system has a leak-detection system installed, it must be checked for leaks at least every 24 months.
5. When the unit is checked for leaks, proper record-keeping of all checks is strongly recommended.

WARNING for Using R32/R290 Refrigerant

- When flammable refrigerant are employed, appliance shall be stored in a well -ventilated area where the room size corresponds to the room area as specific for operation.
For R32 frigerant models:
Appliance shall be installed, operated and stored in a room with a floor area larger than 4m².
Appliance shall not be installed in an unvertilated space, if that space is smaller than 4m².
For R290 refrigerant models, the minimum room size needed:
≤9000Btu/h units: 13m²
>9000Btu/h and ≤12000Btu/h units: 17m²
>12000Btu/h and ≤18000Btu/h units: 26m²
>18000Btu/h and ≤24000Btu/h units: 35m²
- Reusable mechanical connectors and flared joints are not allowed indoors.
(**EN** Standard Requirements).
- Mechanical connectors used indoors shall have a rate of not more than 3g/year at 25% of the maximum allowable pressure. When mechanical connectors are reused indoors, sealing parts shall be renewed. When flared joints are reused indoors, the flare part shall be re-fabricated. (**UL** Standard Requirements)
- When mechanical connectors are reused indoors, sealing parts shall be renewed. When flared joints are reused indoors, the flare part shall be re-fabricated.
(**IEC** Standard Requirements)
- Mechanical connectors used indoors shall comply with ISO 14903.

European Disposal Guidelines

This marking shown on the product or its literature, indicates that waste electrical and eletrical equipment should not be mixed with general household waste.



Correct Disposal of This Product (Waste Electrical & Electronic Equipment)

This appliance contains refrigerant and other potentially hazardous materials. When disposing of this appliance, the law requires special collection and treatment. **Do not** dispose of this product as household waste or unsorted municipal waste.

When disposing of this appliance, you have the following options:

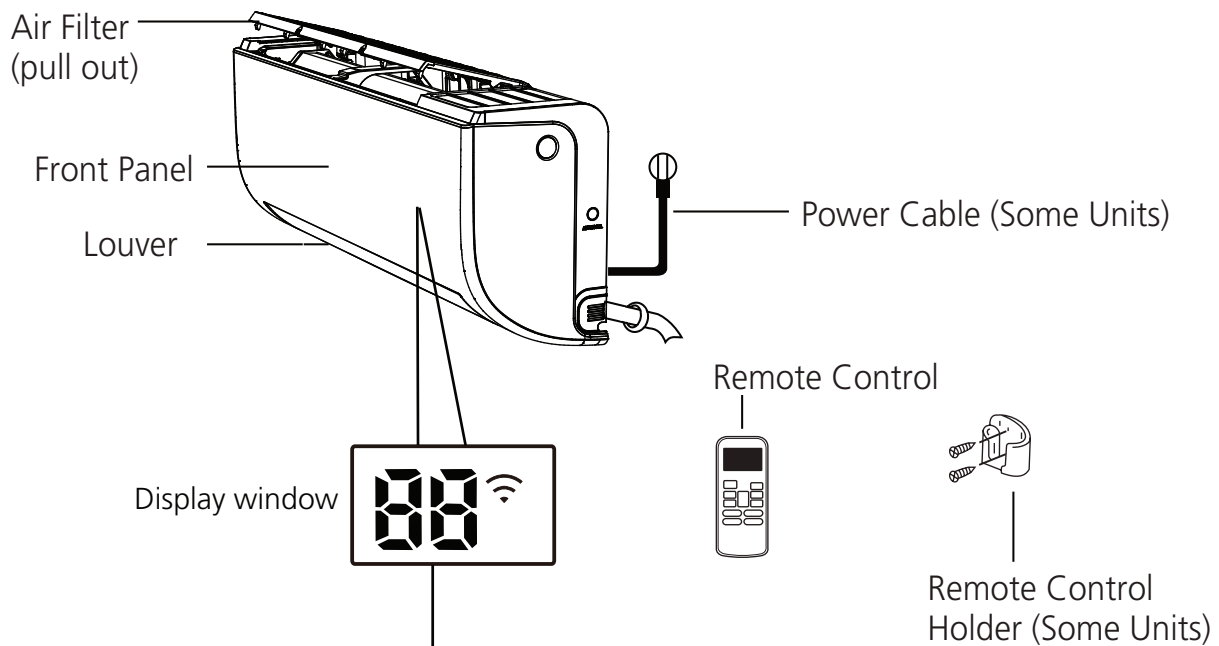
- Dispose of the appliance at designated municipal electronic waste collection facility.
- When buying a new appliance, the retailer will take back the old appliance free of charge.
- The manufacturer will take back the old appliance free of charge.
- Sell the appliance to certified scrap metal dealers.

Special notice

Disposing of this appliance in the forest or other natural surroundings endangers your health and is bad for the environment. Hazardous substances may leak into the ground water and enter the food chain.

Unit Specifications and Features

Indoor unit display



" 88 " Displays temperature, operation feature and Error codes:

" 01 " for 3 seconds when:

- TIMER ON is set (if the unit is OFF, " 01 " remains on when TIMER ON is set)
- FRESH, SWING, TURBO, SILENCE or SOLAR PV ECO feature is turned on

" 0F " for 3 seconds when:

- TIMER OFF is set
- FRESH, SWING, TURBO, SILENCE or SOLAR PV ECO feature is turned off


" eF " when anti-cold air feature is turned on

" dF " when defrosting(cooling & heating units)

" SC " when unit is self-cleaning

" FP " when 8°C heating feature is turned on

When ECO function(some units) is activated, the '88' illuminates gradually one by one as E--
[-- 0 --set temperature-- E..... in one second interval.

"  " when Wireless Control feature is activated(some units)

Display Code Meanings

NOTE: Different models have different front panel and display window. Not all the indicators describing below are available for the air conditioner you purchased. Please check the indoor display window of the unit you purchased.

Illustrations in this manual are for explanatory purposes. The actual shape of your indoor unit may be slightly different. The actual shape shall prevail.

Operating temperature

When your air conditioner is used outside of the following temperature ranges, certain safety protection features may activate and cause the unit to disable.

Inverter Split Type

	COOL mode	HEAT mode	DRY mode
Room Temperature	17°C - 32°C (62°F - 90°F)	0°C - 30°C (32°F - 86°F)	10°C - 32°C (50°F - 90°F)
Outdoor Temperature	0°C - 50°C (32°F - 122°F)	-15°C - 30°C (5°F - 86°F)	0°C - 50°C (32°F - 122°F)
	-15°C - 50°C (5°F - 122°F) (For models with low temp. cooling systems.)		
	0°C - 52°C (32°F - 126°F) (For special tropical models)		0°C - 52°C (32°F - 126°F) (For special tropical models)

FOR OUTDOOR UNITS WITH AUXILIARY ELECTRIC HEATER

When outside temperature is below 0°C (32°F), we strongly recommend keeping the unit plugged in at all time to ensure smooth ongoing performance.

Fixed-speed Type

	COOL mode	HEAT mode	DRY mode
Room Temperature	17°C-32°C (62°F-90°F)	0°C-30°C (32°F-86°F)	10°C-32°C (50°F-90°F)
Outdoor Temperature	18°C-43°C (64°F-109°F)	-7°C-24°C (19°F-75°F)	11°C-43°C (52°F-109°F)
	-7°C-43°C (19°F-109°F) (For models with low-temp cooling systems)		18°C-43°C (64°F-109°F)
	18°C-52°C (64°F-126°F) (For special tropical models)		18°C-52°C (64°F-126°F) (For special tropical models)

NOTE: Room relative humidity less than 80%. If the air conditioner operates in excess of this figure, the surface of the air conditioner may attract condensation. Please sets the vertical air flow louver to its maximum angle (vertically to the floor), and set HIGH fan mode.

To further optimize the performance of your unit, do the following:

- Keep doors and windows closed.
- Limit energy usage by using TIMER ON and TIMER OFF functions.
- Do not block air inlets or outlets.
- Regularly inspect and clean air filters.

A guide on using the infrared remote is not included in this literature package. Not all the functions are available for the air conditioner, please check the indoor display and remote control of the unit you purchased.

Other Features

- **Auto-Restart(some units)**

If the unit loses power, it will automatically restart with the prior settings once power has been restored.

- **Anti-mildew (some units)**

When turning off the unit from COOL, AUTO (COOL), or DRY modes, the air conditioner will continue operate at very low power to dry up condensed water and prevent mildew growth.

- **Wireless Control (some units)**

Wireless control allows you to control your air conditioner using your mobile phone and a wireless connection.

For the USB device access, replacement, maintenance operations must be carried out by professional staff.

- **Louver Angle Memory(some units)**

When turning on your unit, the louver will automatically resume its former angle.

- **Refrigerant Leakage Detection (some units)**

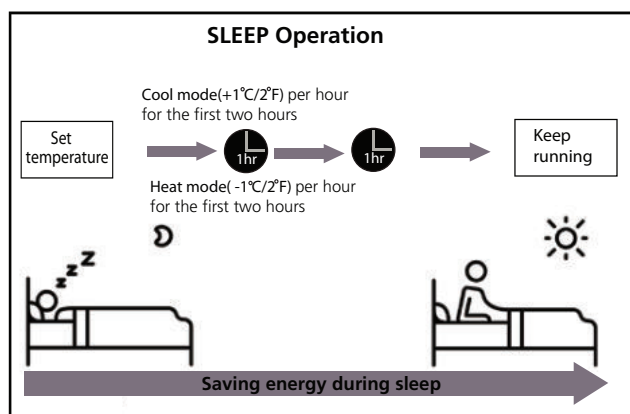
The indoor unit will automatically display "EC" or "ELOC" or flash LEDS (model dependent) when it detects refrigerant leakage.

- **Sleep Operation**

The SLEEP function is used to decrease energy use while you sleep (and don't need the same temperature settings to stay comfortable). This function can only be activated via remote control. And the Sleep function is not available in FAN or DRY mode.

Press the **SLEEP** button when you are ready to go to sleep. When in COOL mode, the unit will increase the temperature by 1°C (2°F) after 1 hour, and will increase an additional 1°C (2°F) after another hour. When in HEAT mode, the unit will decrease the temperature by 1°C (2°F) after 1 hour, and will decrease an additional 1°C (2°F) after another hour.

The sleep feature will stop after 8 hours and the system will keep running with final situation.



• Setting Angle of Air Flow

Setting vertical angle of air flow

While the unit is on, use the **SWING/DIRECT** button on remote control to set the direction (vertical angle) of airflow. Please refer to the Remote Control Manual for details.

NOTE ON LOUVER ANGLES

When using COOL or DRY mode, do not set louver at too vertical an angle for long periods of time. This can cause water to condense on the louver blade, which will drop on your floor or furnishings.

When using COOL or HEAT mode, setting the louver at too vertical an angle can reduce the performance of the unit due to restricted air flow.

Setting horizontal angle of air flow

The horizontal angle of the airflow must be set manually. Grip the deflector rod (See **Fig.B**) and manually adjust it to your preferred direction.

For some units, the horizontal angle of the airflow can be set by remote control. please refer to the Remote Control Manual.

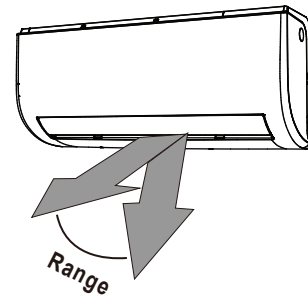
Manual Operation(without remote)

⚠ CAUTION

The manual button is intended for testing purposes and emergency operation only. Please do not use this function unless the remote control is lost and it is absolutely necessary. To restore regular operation, use the remote control to activate the unit. Unit must be turned off before manual operation.

To operate your unit manually:

1. Locate the **MANUAL CONTROL button** on the right-hand side panel of the unit.
2. Press the **MANUAL CONTROL button** one time to activate FORCED AUTO mode.
3. Press the **MANUAL CONTROL button** again to activate FORCED COOLING mode.
4. Press the **MANUAL CONTROL button** a third time to turn the unit off.



NOTE: Do not move louver by hand. This will cause the louver to become out of sync. If this occurs, turn off the unit and unplug it for a few seconds, then restart the unit. This will reset the louver.

Fig. A



CAUTION

Do not put your fingers in or near the blower and suction side of the unit. The high-speed fan inside the unit may cause injury.

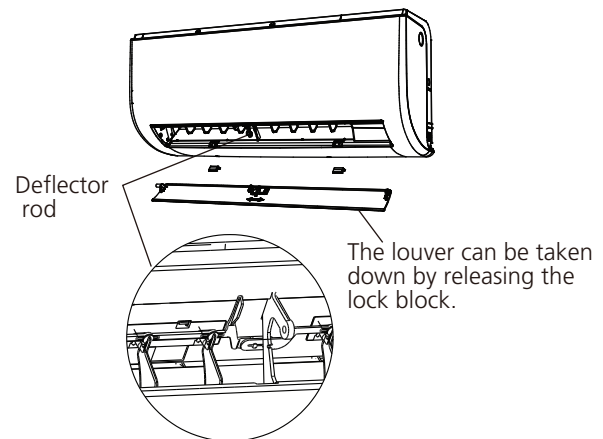


Fig. B

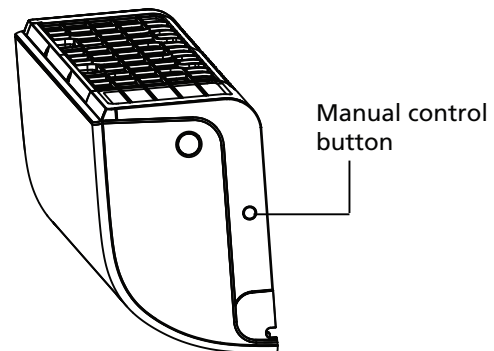


Fig. C

Care and Maintenance

Cleaning Your Indoor Unit

BEFORE CLEANING OR MAINTENANCE

ALWAYS TURN OFF YOUR AIR CONDITIONER SYSTEM AND DISCONNECT ITS POWER SUPPLY BEFORE CLEANING OR MAINTENANCE.

CAUTION

Only use a soft, dry cloth to wipe the unit clean. If the unit is especially dirty, you can use a cloth soaked in warm water to wipe it clean.

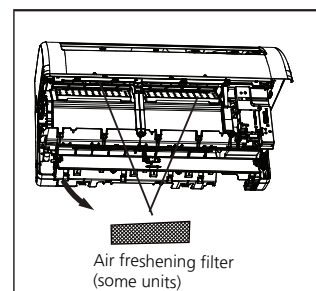
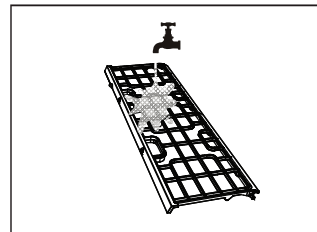
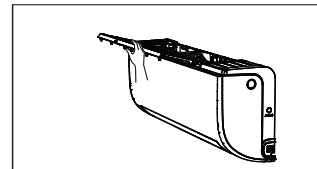
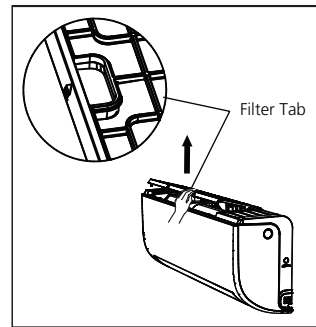
- **Do not** use chemicals or chemically treated cloths to clean the unit
- **Do not** use benzene, paint thinner, polishing powder or other solvents to clean the unit. They can cause the plastic surface to crack or deform.
- **Do not** use water hotter than 40°C (104°F) to clean the front panel. This can cause the panel to deform or become discolored.

Cleaning Your Air Filter

A clogged air filter can reduce the cooling efficiency of your unit, can also make the air flow irregular and too much noisy, so please clean the air filter as often as necessary. Once the abnormal noise of air flow is heard, please clean the air filter immediately.

1. The air filter is under the top air inlet grill.
2. Grip the tab on the end of the filter, lift it up, then pull it towards yourself.
3. If your filter has a small air freshening filter, unclip it from the larger filter. Clean this air freshening filter with a hand-held vacuum.
4. Clean the large air filter with warm, soapy water. Be sure to use a mild detergent.

5. Rinse the filter with fresh water, then shake off excess water.
6. Dry it in a cool, dry place, and refrain from exposing it to direct sunlight.
7. When dry, re-clip the air freshening filter to the larger filter, then slide it back into the indoor unit.



CAUTION

Do not touch air freshening (Plasma) filter for at least 10 minutes after turning off the unit.



CAUTION

- Before changing the filter or cleaning, turn off the unit and disconnect its power supply.
- When removing filter, do not touch metal parts in the unit. The sharp metal edges can cut you.
- Do not use water to clean the inside of the indoor unit. This can destroy insulation and cause electrical shock.
- Do not expose filter to direct sunlight when drying. This can shrink the filter.

Air Filter Reminders (Optional)

Air Filter Cleaning Reminder

After 240 hours of use, the display window on the indoor unit will flash "CL." This is a reminder to clean your filter. After 15 seconds, the unit will revert to its previous display.

To reset the reminder, press the **LED** button on your remote control 4 times, or press the **MANUAL CONTROL** button 3 times. If you don't reset the reminder, the "CL" indicator will flash again when you restart the unit.

Air Filter Replacement Reminder

After 2,880 hours of use, the display window on the indoor unit will flash "nF." This is a reminder to replace your filter. After 15 seconds, the unit will revert to its previous display.

To reset the reminder, press the **LED** button on your remote control 4 times, or press the **MANUAL CONTROL** button 3 times. If you don't reset the reminder, the "nF" indicator will flash again when you restart the unit.

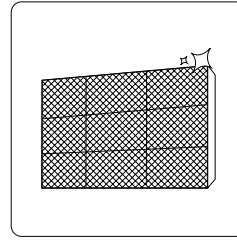


CAUTION

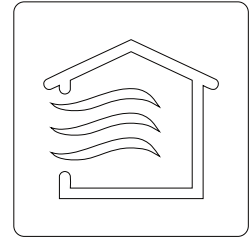
- Any maintenance and cleaning of outdoor unit should be performed by an authorized dealer or a licensed service provider.
- Any unit repairs should be performed by an authorized dealer or a licensed service provider.

Maintenance – Long Periods of Non-Use

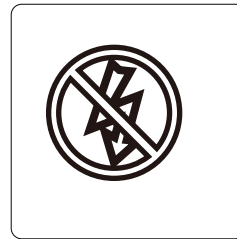
If you plan not to use your air conditioner for an extended period of time, do the following:



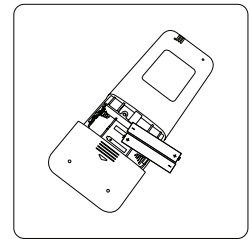
Clean all filters



Turn on FAN function until unit dries out completely



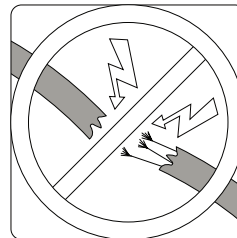
Turn off the unit and disconnect the power



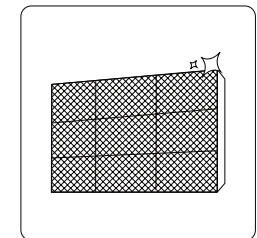
Remove batteries from remote control

Maintenance – Pre-Season Inspection

After long periods of non-use, or before periods of frequent use, do the following:



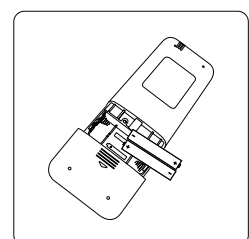
Check for damaged wires



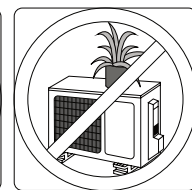
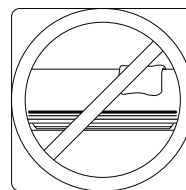
Clean all filters



Check for leaks



Replace batteries



Make sure nothing is blocking all air inlets and outlets

Troubleshooting

SAFETY PRECAUTIONS

If ANY of the following conditions occurs, turn off your unit immediately!

- The power cord is damaged or abnormally warm
- You smell a burning odor
- The unit emits loud or abnormal sounds
- A power fuse blows or the circuit breaker frequently trips
- Water or other objects fall into or out of the unit

DO NOT ATTEMPT TO FIX THESE YOURSELF! CONTACT AN AUTHORIZED SERVICE PROVIDER IMMEDIATELY!

Common Issues

The following problems are not a malfunction and in most situations will not require repairs.

Issue	Possible Causes
Unit does not turn on when pressing ON/OFF button	The Unit has a 3-minute protection feature that prevents the unit from overloading. The unit cannot be restarted within three minutes of being turned off.
The unit changes from COOL/HEAT mode to FAN mode	The unit may change its setting to prevent frost from forming on the unit. Once the temperature increases, the unit will start operating in the previously selected mode again.
	The set temperature has been reached, at which point the unit turns off the compressor. The unit will continue operating when the temperature fluctuates again.
The indoor unit emits white mist	In humid regions, a large temperature difference between the room's air and the conditioned air can cause white mist.
Both the indoor and outdoor units emit white mist	When the unit restarts in HEAT mode after defrosting, white mist may be emitted due to moisture generated from the defrosting process.
The indoor unit makes noises	A rushing air sound may occur when the louver resets its position.
	A squeaking sound may occur after running the unit in HEAT mode due to expansion and contraction of the unit's plastic parts.
Both the indoor unit and outdoor unit make noises	Low hissing sound during operation: This is normal and is caused by refrigerant gas flowing through both indoor and outdoor units.
	Low hissing sound when the system starts, has just stopped running, or is defrosting: This noise is normal and is caused by the refrigerant gas stopping or changing direction.
	Squeaking sound: Normal expansion and contraction of plastic and metal parts caused by temperature changes during operation can cause squeaking noises.

Issue	Possible Causes
The outdoor unit makes noises	The unit will make different sounds based on its current operating mode.
Dust is emitted from either the indoor or outdoor unit	The unit may accumulate dust during extended periods of non-use, which will be emitted when the unit is turned on. This can be mitigated by covering the unit during long periods of inactivity.
The unit emits a bad odor	The unit may absorb odors from the environment (such as furniture, cooking, cigarettes, etc.) which will be emitted during operations.
	The unit's filters have become moldy and should be cleaned.
The fan of the outdoor unit does not operate	During operation, the fan speed is controlled to optimize product operation.
Operation is erratic, unpredictable, or unit is unresponsive	Interference from cell phone towers and remote boosters may cause the unit to malfunction. In this case, try the following: <ul style="list-style-type: none"> • Disconnect the power, then reconnect. • Press ON/OFF button on remote control to restart operation.

NOTE: If problem persists, contact a local dealer or your nearest customer service center. Provide them with a detailed description of the unit malfunction as well as your model number.

Troubleshooting

When troubles occur, please check the following points before contacting a repair company.




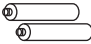


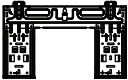




Problem	Possible Causes	Solution
Poor Cooling Performance	Temperature setting may be higher than ambient room temperature	Lower the temperature setting
	The heat exchanger on the indoor or outdoor unit is dirty	Clean the affected heat exchanger
	The air filter is dirty	Remove the filter and clean it according to instructions
	The air inlet or outlet of either unit is blocked	Turn the unit off, remove the obstruction and turn it back on
	Doors and windows are open	Make sure that all doors and windows are closed while operating the unit
	Excessive heat is generated by sunlight	Close windows and curtains during periods of high heat or bright sunshine
	Too many sources of heat in the room (people, computers, electronics, etc.)	Reduce amount of heat sources
	Low refrigerant due to leak or long-term use	Check for leaks, re-seal if necessary and top off refrigerant
SILENCE function is activated (optional function)	SILENCE function can lower product performance by reducing operating frequency. Turn off SILENCE function.	

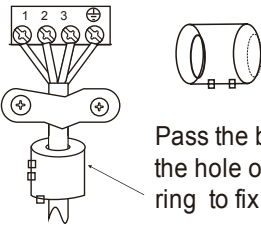
Problem	Possible Causes	Solution
The unit is not working	Power failure	Wait for the power to be restored
	The power is turned off	Turn on the power
	The fuse is burned out	Replace the fuse
	Remote control batteries are dead	Replace batteries
	The Unit's 3-minute protection has been activated	Wait three minutes after restarting the unit
	Timer is activated	Turn timer off
The unit starts and stops frequently	There's too much or too little refrigerant in the system	Check for leaks and recharge the system with refrigerant.
	Incompressible gas or moisture has entered the system.	Evacuate and recharge the system with refrigerant
	The compressor is broken	Replace the compressor
	The voltage is too high or too low	Install a manostat to regulate the voltage
Poor heating performance	The outdoor temperature is extremely low	Use auxiliary heating device
	Cold air is entering through doors and windows	Make sure that all doors and windows are closed during use
	Low refrigerant due to leak or long-term use	Check for leaks, re-seal if necessary and top off refrigerant
Indicator lamps continue flashing	The unit may stop operation or continue to run safely. If the indicator lamps continue to flash or error codes appear, wait for about 10 minutes. The problem may resolve itself. If not, disconnect the power, then connect it again. Turn the unit on. If the problem persists, disconnect the power and contact your nearest customer service center.	
Error code appears and begins with the letters as the following in the window display of indoor unit:	<ul style="list-style-type: none"> • E(x), P(x), F(x) • EH(xx), EL(xx), EC(xx) • PH(xx), PL(xx), PC(xx) 	

NOTE: If your problem persists after performing the checks and diagnostics above, turn off your unit immediately and contact an authorized service center.

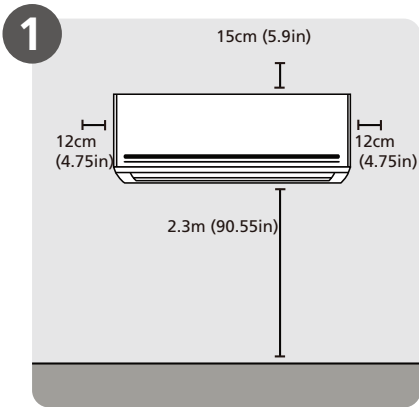
Accessories

The air conditioning system comes with the following accessories. Use all of the installation parts and accessories to install the air conditioner. Improper installation may result in water leakage, electrical shock and fire, or cause the equipment to fail. The items are not included with the air conditioner must be purchased separately.

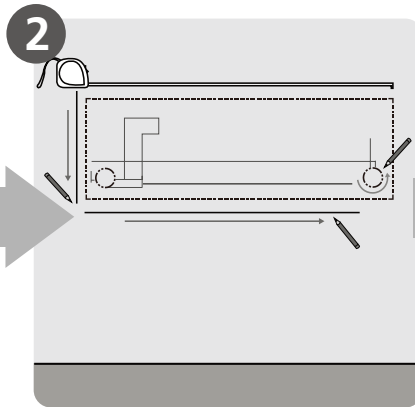
Name of Accessories	Q'ty(pc)	Shape	Name of Accessories	Q'ty(pc)	Shape
Manual	2-3		Remote controller	1	
Drain joint (for cooling & heating models)	1		Battery	2	
Seal (for cooling & heating models)	1		Remote controller holder(optional)	1	
Mounting plate	1		Fixing screw for remote controller holder(optional)	2	
Anchor	5~8 (depending on models)		Small Filter (Need to be installed on the back of main air filter by the authorized technician while installing the machine)	1~2 (depending on models)	
Mounting plate fixing screw	5~8 (depending on models)				

Name	Shape	Quantity(PC)	
Connecting pipe assembly	Liquid side	Φ 6.35(1/4in)	Parts you must purchase separately. Consult the dealer about the proper pipe size of the unit you purchased.
		Φ 9.52(3/8in)	
	Gas side	Φ 9.52(3/8in)	
		Φ 12.7(1/2in)	
		Φ 16(5/8in)	
Magnetic ring and belt (if supplied ,please refer to the wiring diagram to install it on the connective cable.)		Varies by model	

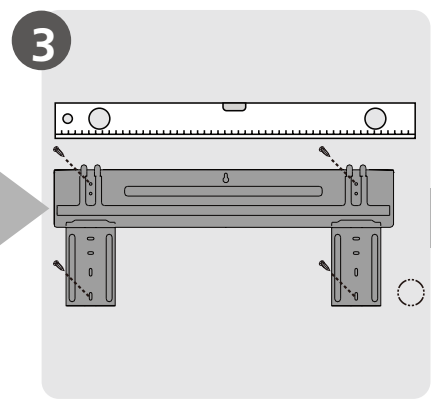
Installation Summary - Indoor Unit



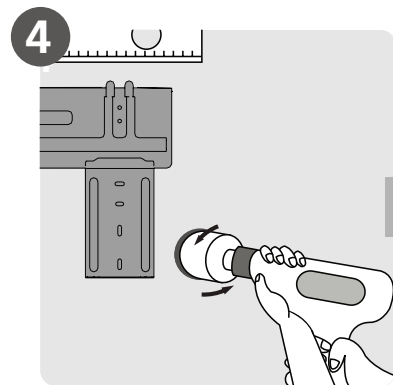
Select Installation Location



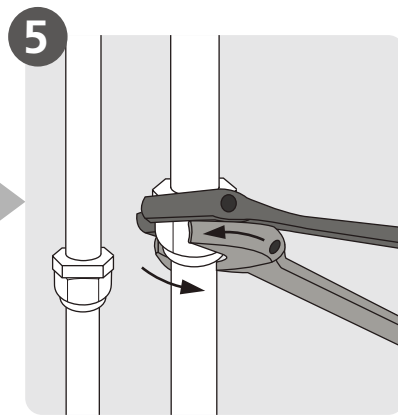
Determine Wall Hole Position



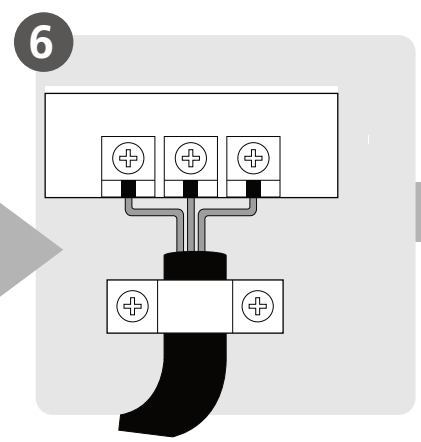
Attach Mounting Plate



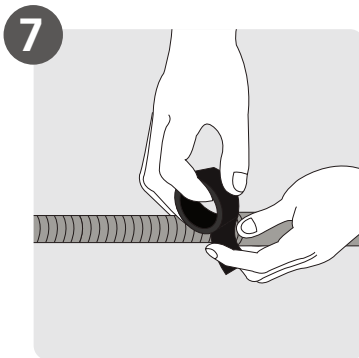
Drill Wall Hole



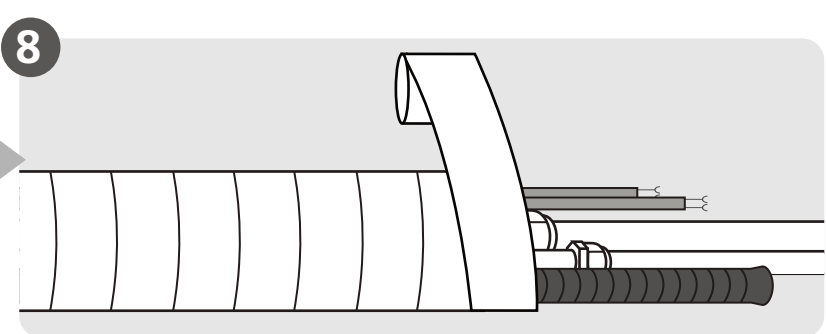
Connect Piping



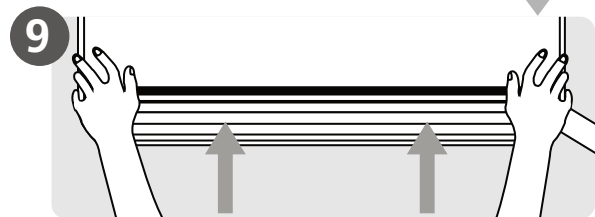
Connect Wiring
(not applicable for some locations in North America)



Prepare Drain Hose



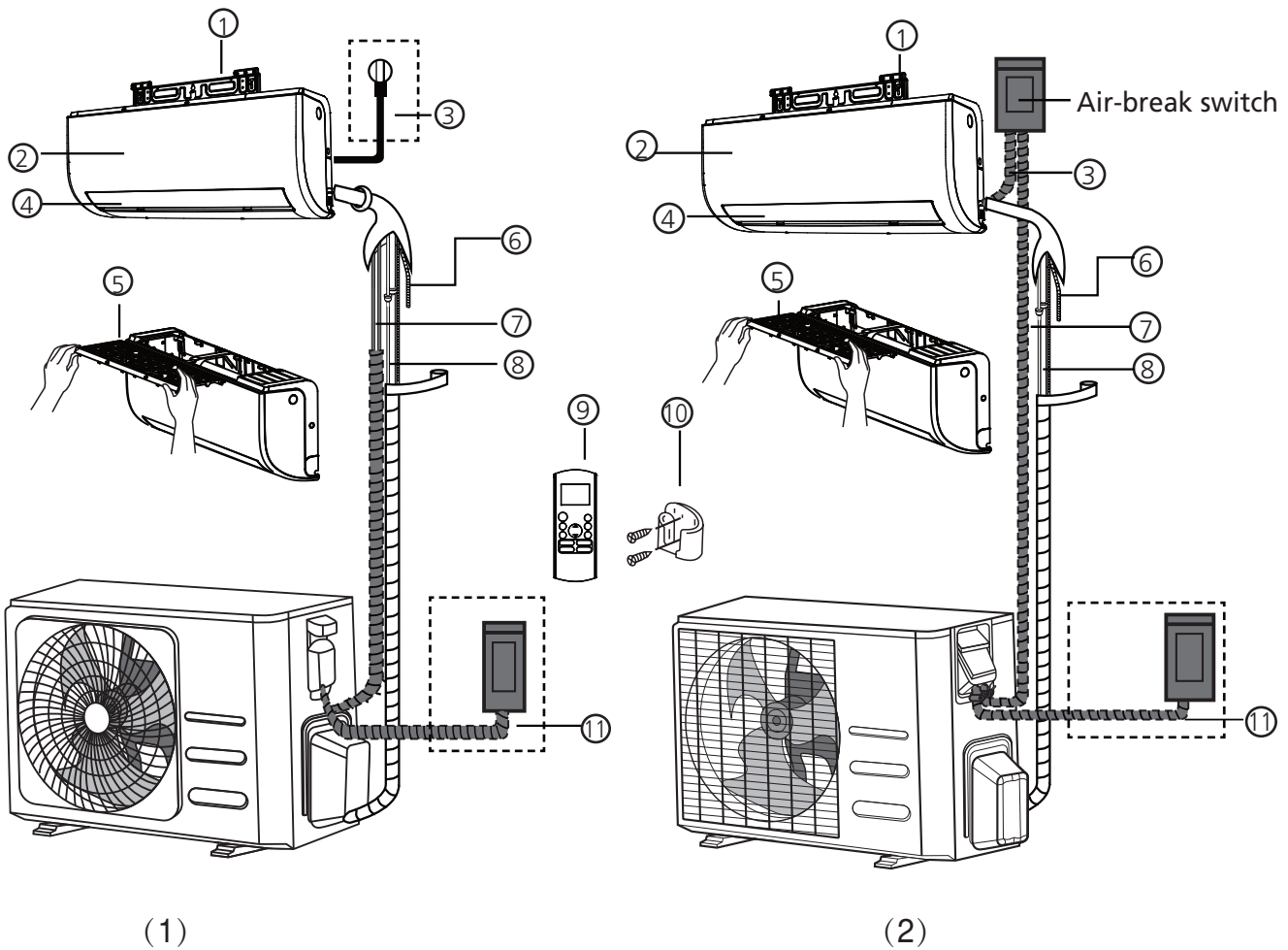
Wrap Piping and Cable
(not applicable for some locations in North America)



Mount Indoor Unit

Unit Parts

NOTE: The installation must be performed in accordance with the requirement of local and national standards. The installation may be slightly different in different areas.



- | | | |
|----------------------------|---------------------------|---|
| ① Wall Mounting Plate | ⑤ Air filter(pull it out) | ⑨ Remote Controller |
| ② Front Panel | ⑥ Drainage Pipe | ⑩ Remote Controller Holder (Some Units) |
| ③ Power Cable (Some Units) | ⑦ Signal Cable | ⑪ Outdoor Unit Power Cable (Some Units) |
| ④ Louver | ⑧ Refrigerant Piping | |

NOTE ON ILLUSTRATIONS

Illustrations in this manual are for explanatory purposes. The actual shape of your indoor unit may be slightly different. The actual shape shall prevail.

Indoor Unit Installation

Installation Instructions – Indoor unit

PRIOR TO INSTALLATION

Before installing the indoor unit, refer to the label on the product box to make sure that the model number of the indoor unit matches the model number of the outdoor unit.

Step 1: Select installation location

Before installing the indoor unit, you must choose an appropriate location. The following are standards that will help you choose an appropriate location for the unit.

Proper installation locations meet the following standards:

- Good air circulation
- Convenient drainage
- Noise from the unit will not disturb other people
- Firm and solid—the location will not vibrate
- Strong enough to support the weight of the unit
- A location at least one meter from all other electrical devices (e.g., TV, radio, computer)

DO NOT install unit in the following locations:

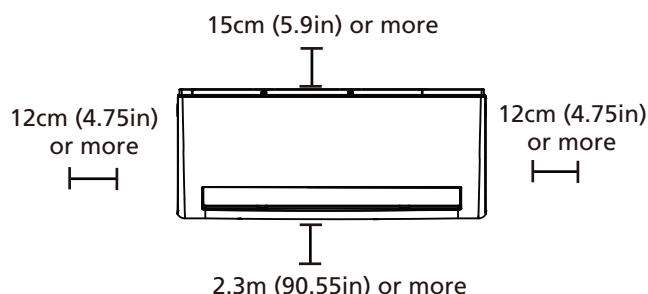
- Near any source of heat, steam, or combustible gas
- Near flammable items such as curtains or clothing
- Near any obstacle that might block air circulation
- Near the doorway
- In a location subject to direct sunlight

NOTE ABOUT WALL HOLE:

If there is no fixed refrigerant piping:

While choosing a location, be aware that you should leave ample room for a wall hole (see **Drill wall hole for connective piping** step) for the signal cable and refrigerant piping that connect the indoor and outdoor units. The default position for all piping is the right side of the indoor unit (while facing the unit). However, the unit can accommodate piping to both the left and right.

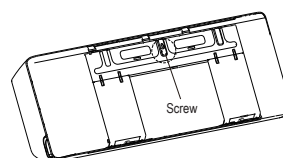
Refer to the following diagram to ensure proper distance from walls and ceiling:



Step 2: Attach mounting plate to wall

The mounting plate is the device on which you will mount the indoor unit.

- Remove the screw that attaches the mounting plate to the back of the indoor unit.



- Secure the mounting plate to the wall with the screws provided. Make sure that mounting plate is flat against the wall.

NOTE FOR CONCRETE OR BRICK WALLS:

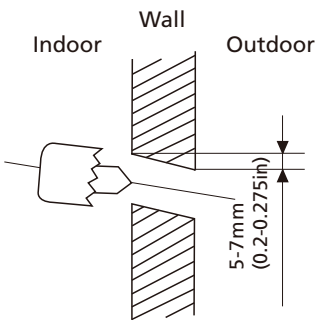
If the wall is made of brick, concrete, or similar material, drill 5mm-diameter (0.2in-diameter) holes in the wall and insert the sleeve anchors provided. Then secure the mounting plate to the wall by tightening the screws directly into the clip anchors.

Step 3: Drill wall hole for connective piping

1. Determine the location of the wall hole based on the position of the mounting plate. Refer to **Mounting Plate Dimensions**.
2. Using a 65mm (2.5in) or 90mm(3.54in) (depending on models)core drill, drill a hole in the wall. Make sure that the hole is drilled at a slight downward angle, so that the outdoor end of the hole is lower than the indoor end by about 5mm to 7mm (0.2-0.275in). This will ensure proper water drainage.
3. Place the protective wall cuff in the hole. This protects the edges of the hole and will help seal it when you finish the installation process.

CAUTION

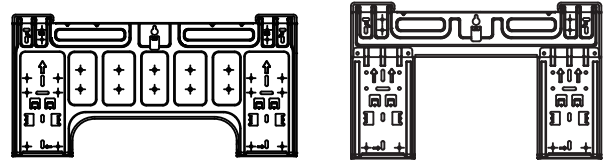
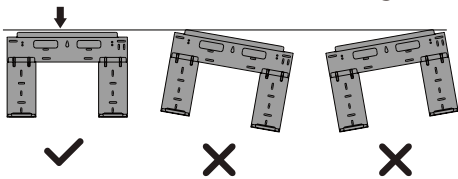
When drilling the wall hole, make sure to avoid wires, plumbing, and other sensitive components.



MOUNTING PLATE DIMENSIONS

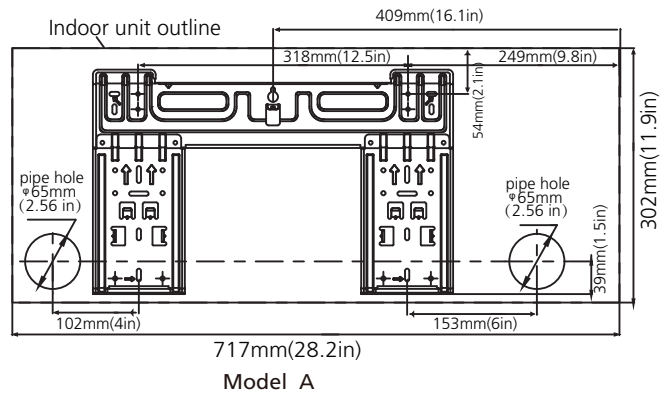
Different models have different mounting plates. For the different customization requirements, the shape of the mounting plate may be slightly different. But the installation dimensions are the same for the same size of indoor unit. See Type A and Type B for example:

Correct orientation of Mounting Plate

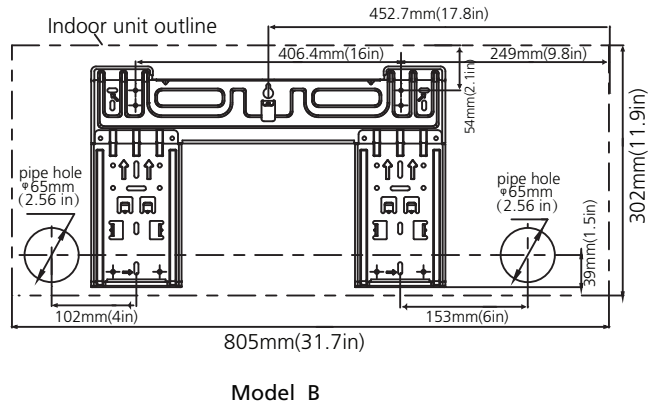


Type A

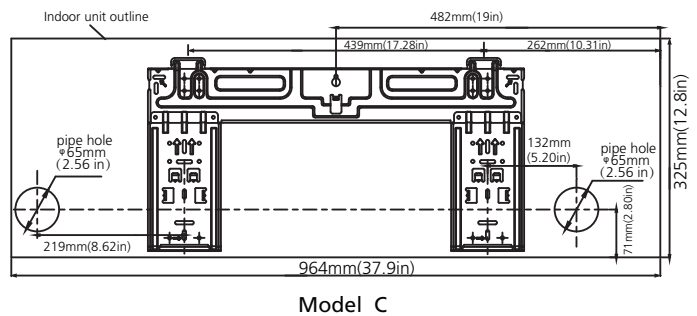
Type B



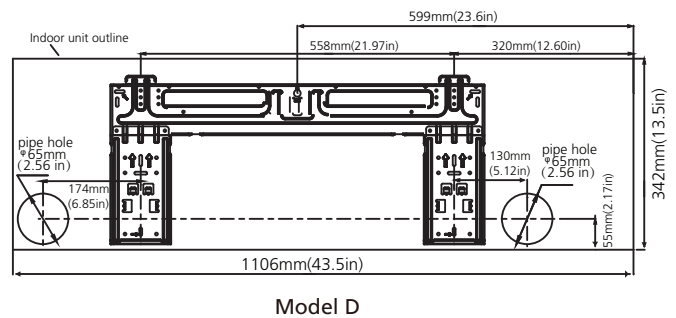
Model A



Model B



Model C



Model D

NOTE: When the gas side connective pipe is Φ 16mm(5/8in) or more, the wall hole should be 90mm(3.54in).

Step 4: Prepare refrigerant piping

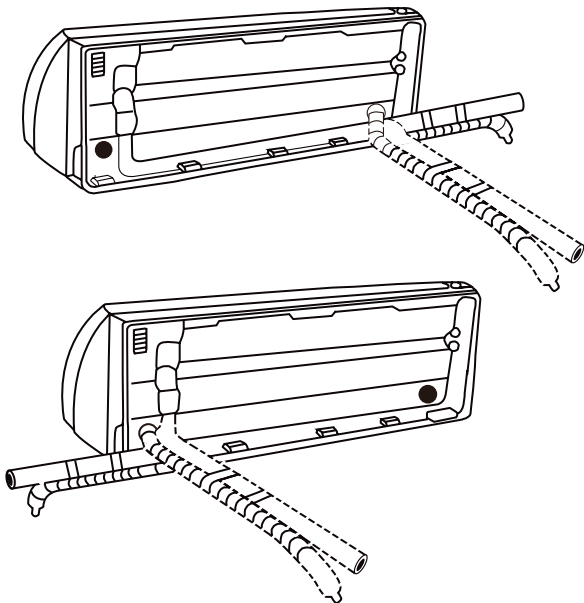
The refrigerant piping is inside an insulating sleeve attached to the back of the unit. You must prepare the piping before passing it through the hole in the wall. Refer to the **Refrigerant Piping Connection** section of this manual for detailed instructions on pipe flaring and flare torque requirements, technique, etc.

NOTE ON PIPING ANGLE

Refrigerant piping can exit the indoor unit from four different angles:

- Left-hand side
- Left rear
- Right-hand side
- Right rear

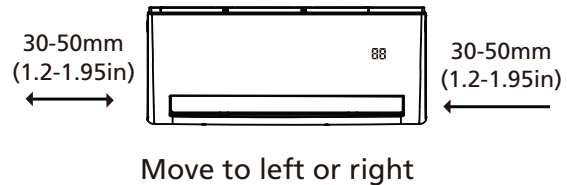
Refer to **figures below** for details.



If refrigerant piping is already embedded in the wall, do the following:

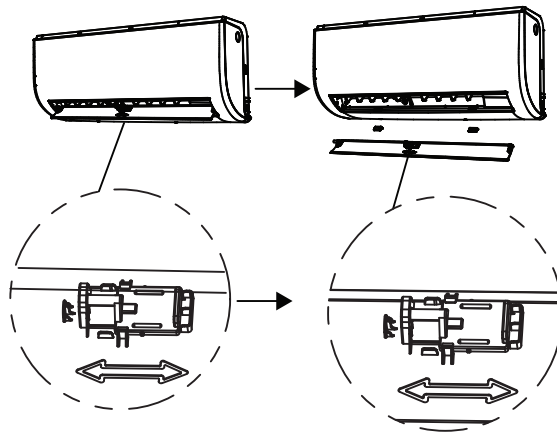
Step 1: Hook the indoor unit on the mounting plate:

1. Keep in mind that the hooks on the mounting plate are smaller than the holes on the back of the unit. If you find that you don't have ample room to connect embedded pipes to the indoor unit, the unit can be adjusted left or right by about 30-50mm (1.25-1.95in), depending on the model.

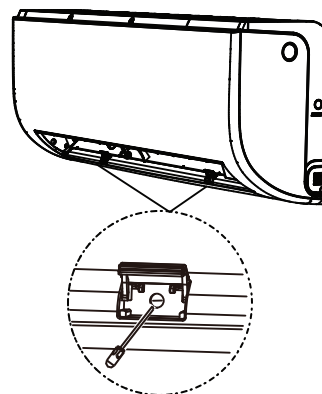


Step 2: Prepare refrigerant piping:

1. Disassemble the louver:

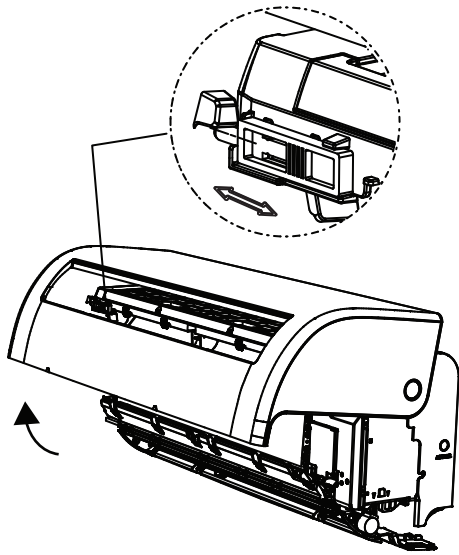


2. Open and fix the position of the panel
Firstly, unscrew the two screws showed in the picture below, then open the panel, and fix the position of the panel by the latch.

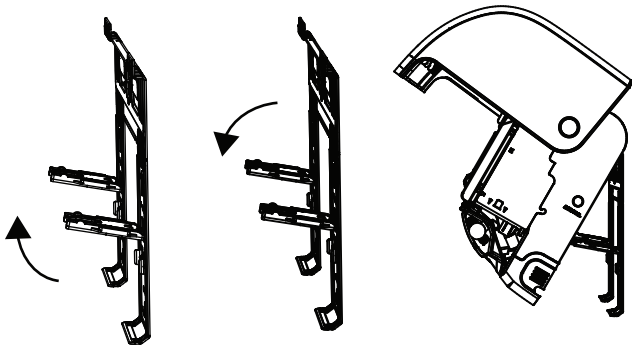


! CAUTION

Be extremely careful not to dent or damage the piping while bending them away from the unit. Any dents in the piping will affect the unit's performance.



3. Use the holder in the mounting plate to prop up the unit, giving you enough room to connect the refrigerant piping, signal cable, and drain hose.



Step 3. Connect drain hose and refrigerant piping (refer to **Refrigerant Piping Connection** section of this manual for instructions).

Step 4. Keep pipe connection point exposed to perform the leak test (refer to **Electrical Checks and Leak Checks** section of this manual).

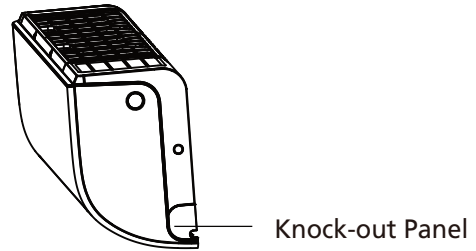
Step 5. After the leak test, wrap the connection point with insulation tape.

Step 6. Remove the bracket or wedge that is propping with insulation tape.

Step 7. Using even pressure, push down on the bottom half of the unit. Keep pushing down until the unit snaps onto the hooks along the bottom of the mounting plate.

If there is no refrigerant piping embedded in the wall, do the following:

1. Based on the position of the wall hole relative to the mounting plate, choose the side from which the piping will exit the unit.
2. If the wall hole is behind the unit, keep the knock-out panel in place. If the wall hole is to the side of the indoor unit, remove the plastic knock-out panel from that side of the unit. (See figure below). This will create a slot through which your piping can exit the unit. Use needle nose pliers if the plastic panel is too difficult to remove by hand.



Knock-out Panel

3. Use scissors to cut down the length of the insulating sleeve to reveal about 40mm (1.57in) of the refrigerant piping. This serves two purposes:
 - To facilitate the **Refrigerant Piping Connection** process.
 - To facilitate **Gas Leak Checks** and enable you to check for dents
4. Connect the indoor unit's refrigerant piping to the connective piping that will join the indoor and outdoor units. Refer to the **Refrigerant Piping Connection** section of this manual for detailed instructions.
5. Based on the position of the wall hole relative to the mounting plate, determine the necessary angle of your piping.
6. Grip the refrigerant piping at the base of the bend.
7. Slowly, with even pressure, bend the piping towards the hole. **Do not** dent or damage the piping during the process.

Step 5: Connect drain hose

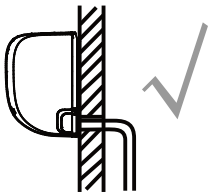
By default, the drain hose is attached to the left-hand side of unit (when you're facing the back of the unit). However, it can also be attached to the right-hand side. To ensure proper drainage, attach the drain hose on the same side that your refrigerant piping exits the unit.

- Wrap the connection point firmly with Teflon tape to ensure a good seal and to prevent leaks.
- Remove the air filter and pour a small amount of water into the drain pan to make sure that water flows from the unit smoothly.

! NOTE ON DRAIN HOSE PLACEMENT

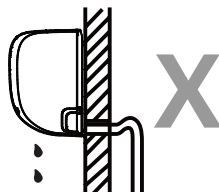
Make sure to arrange the drain hose according to the following figures.

- ⊘ **DO NOT** kink the drain hose.
- ⊘ **DO NOT** create a water trap.
- ⊘ **DO NOT** put the end of drain hose in water or a container that will collect water.



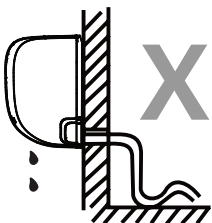
CORRECT

Make sure there are no kinks or dent in drain hose to ensure proper drainage.



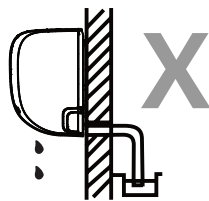
NOT CORRECT

Kinks in the drain hose will create water traps.



NOT CORRECT

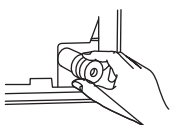
Kinks in the drain hose will create water traps.



NOT CORRECT

Do not place the end of the drain hose in water or in containers that collect water. This will prevent proper drainage.

PLUG THE UNUSED DRAIN HOLE



To prevent unwanted leaks you must plug the unused drain hole with the rubber plug provided.

! BEFORE PERFORMING ANY ELECTRICAL WORK, READ THESE REGULATIONS

1. All wiring must comply with local and national electrical codes, regulations and must be installed by a licensed electrician.
2. All electrical connections must be made according to the Electrical Connection Diagram located on the panels of the indoor and outdoor units.
3. If there is a serious safety issue with the power supply, stop work immediately. Explain your reasoning to the client, and refuse to install the unit until the safety issue is properly resolved.
4. Power voltage should be within 90-110% of rated voltage. Insufficient power supply can cause malfunction, electrical shock, or fire.
5. If connecting power to fixed wiring, a surge protector and main power switch should be installed.
6. If connecting power to fixed wiring, a switch or circuit breaker that disconnects all poles and has a contact separation of at least 1/8in (3mm) must be incorporated in the fixed wiring. The qualified technician must use an approved circuit breaker or switch.
7. Only connect the unit to an individual branch circuit outlet. Do not connect another appliance to that outlet.
8. Make sure to properly ground the air conditioner.
9. Every wire must be firmly connected. Loose wiring can cause the terminal to overheat, resulting in product malfunction and possible fire.
10. Do not let wires touch or rest against refrigerant tubing, the compressor, or any moving parts within the unit.
11. If the unit has an auxiliary electric heater, it must be installed at least 1 meter (40in) away from any combustible materials.
12. To avoid getting an electric shock, never touch the electrical components soon after the power supply has been turned off. After turning off the power, always wait 10 minutes or more before you touch the electrical components.

WARNING

BEFORE PERFORMING ANY ELECTRICAL OR WIRING WORK, TURN OFF THE MAIN POWER TO THE SYSTEM.

Step 6: Connect signal and power cables

The signal cable enables communication between the indoor and outdoor units. You must first choose the right cable size before preparing it for connection.

Cable Types

- **Indoor Power Cable** (if applicable): H05VV-F or H05V2V2-F
- **Outdoor Power Cable:** H07RN-F or H05RN-F
- **Signal Cable:** H07RN-F

NOTE: In North America, choose the cable type according to the local electrical codes and regulations.

Minimum Cross-Sectional Area of Power and Signal Cables (For reference) (Not applicable for North America)

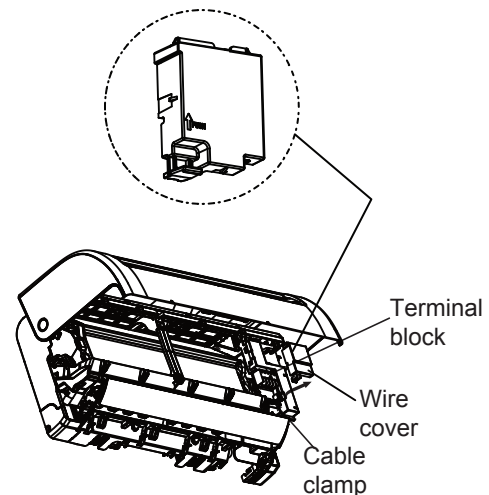
Rated Current of Appliance (A)	Nominal Cross-Sectional Area (mm ²)
> 3 and ≤ 6	0.75
> 6 and ≤ 10	1
> 10 and ≤ 16	1.5
> 16 and ≤ 25	2.5
> 25 and ≤ 32	4
> 32 and ≤ 40	6

CHOOSE THE RIGHT CABLE SIZE

The size of the power supply cable, signal cable, fuse, and switch needed is determined by the maximum current of the unit. The maximum current is indicated on the nameplate located on the side panel of the unit. Refer to this nameplate to choose the right cable, fuse, or switch.

NOTE: In North America, please choose the right cable size according to the Minimum Circuit Ampacity indicated on the nameplate of the unit.

1. Open front panel of the indoor unit by loosening the screws according to picture below, which provide big space for wiring connection.
2. Open the wire box cover to connect the cable.



WARNING

ALL WIRING MUST BE PERFORMED STRICTLY IN ACCORDANCE WITH THE WIRING DIAGRAM LOCATED ON THE BACK OF THE INDOOR UNIT'S FRONT PANEL .

3. Unscrew the cable clamp below the terminal block and place it to the side.
4. Facing the back of the unit, remove the plastic panel on the bottom left-hand side.
5. Feed the signal wire through this slot, from the back of the unit to the front.
6. Facing the front of the unit, connect the wire according to the indoor unit's wiring diagram, connect the u-lug and firmly screw each wire to its corresponding terminal.

CAUTION

DO NOT MIX UP LIVE AND NULL WIRES

This is dangerous, and can cause the air conditioning unit to malfunction.

7. After checking to make sure every connection is secure, use the cable clamp to fasten the signal cable to the unit. Screw the cable clamp down tightly.
8. Replace the wire cover on the front of the unit, and the plastic panel on the back.

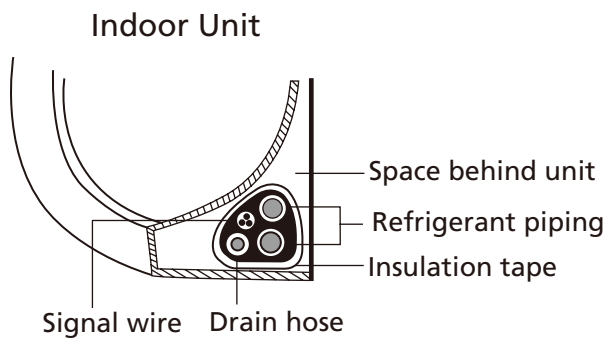
! NOTE ABOUT WIRING

THE WIRING CONNECTION PROCESS MAY DIFFER SLIGHTLY BETWEEN UNITS AND REGIONS.

Step 7: Wrapping and cables

Before passing the piping, drain hose, and the signal cable through the wall hole, you must bundle them together to save space, protect them, and insulate them (Not applicable in North America).

1. Bundle the drain hose, refrigerant pipes, and signal cable as shown below:



DRAIN HOSE MUST BE ON BOTTOM

Make sure that the drain hose is at the bottom of the bundle. Putting the drain hose at the top of the bundle can cause the drain pan to overflow, which can lead to fire or water damage.

DO NOT INTERTWINE SIGNAL CABLE WITH OTHER WIRES

While bundling these items together, do not intertwine or cross the signal cable with any other wiring.

2. Using adhesive vinyl tape, attach the drain hose to the underside of the refrigerant pipes.
3. Using insulation tape, wrap the signal wire, refrigerant pipes, and drain hose tightly together. Double-check that all items are bundled.

DO NOT WRAP ENDS OF PIPING

When wrapping the bundle, keep the ends of the piping unwrapped. You need to access them to test for leaks at the end of the installation process (refer to **Electrical Checks**

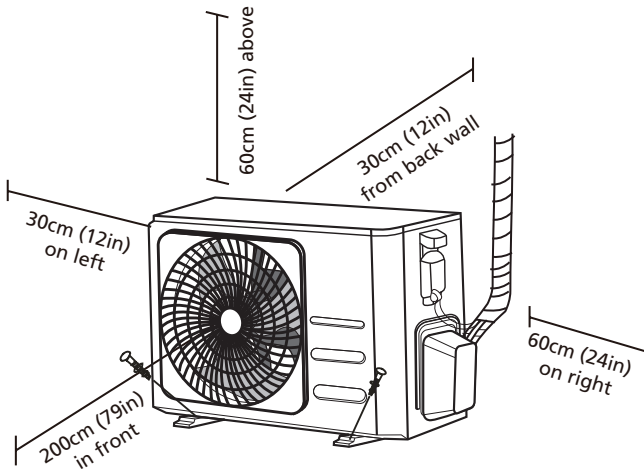
Step 8: Mount indoor unit

If you installed new connective piping to the outdoor unit, do the following:

1. If you have already passed the refrigerant piping through the hole in the wall, proceed to Step 4.
2. Otherwise, double-check that the ends of the refrigerant pipes are sealed to prevent dirt or foreign materials from entering the pipes.
3. Slowly pass the wrapped bundle of refrigerant pipes, drain hose, and signal wire through the hole in the wall.
4. Hook the top of the indoor unit on the upper hook of the mounting plate.
5. Check that unit is hooked firmly on mounting by applying slight pressure to the left and right-hand sides of the unit. The unit should not jiggle or shift.
6. Using even pressure, push down on the bottom half of the unit. Keep pushing down until the unit snaps onto the hooks along the bottom of the mounting plate.
7. Again, check that the unit is firmly mounted by applying slight pressure to the left and the right-hand sides of the unit.

Outdoor Unit Installation

Install the unit by following local codes and regulations, there may be differ slightly between different regions.



Installation Instructions – Outdoor unit

Step 1: Select installation location

Before installing the outdoor unit, you must choose an appropriate location. The following are standards that will help you choose an appropriate location for the unit.

Proper installation locations meet the following standards:

- Meets all spatial requirements shown in Installation Space Requirements above.
- Good air circulation and ventilation
- Firm and solid—the location can support the unit and will not vibrate
- Noise from the unit will not disturb others
- Protected from prolonged periods of direct sunlight or rain
- Where snowfall is anticipated, raise the unit above the base pad to prevent ice buildup and coil damage. Mount the unit high enough to be above the average accumulated area snowfall. The minimum height must be 18 inches

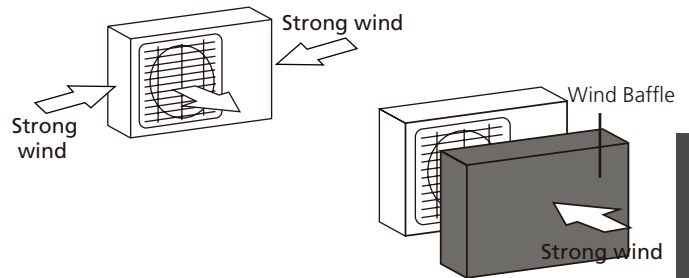
DO NOT install unit in the following locations:

- ⊘ Near an obstacle that will block air inlets and outlets
- ⊘ Near a public street, crowded areas, or where noise from the unit will disturb others
- ⊘ Near animals or plants that will be harmed by hot air discharge
- ⊘ Near any source of combustible gas
- ⊘ In a location that is exposed to large amounts of dust
- ⊘ In a location exposed to a excessive amounts of salty air

SPECIAL CONSIDERATIONS FOR EXTREME WEATHER

If the unit is exposed to heavy wind:

Install unit so that air outlet fan is at a 90° angle to the direction of the wind. If needed, build a barrier in front of the unit to protect it from extremely heavy winds. See Figures below.



If the unit is frequently exposed to heavy rain or snow:

Build a shelter above the unit to protect it from the rain or snow. Be careful not to obstruct air flow around the unit.

If the unit is frequently exposed to salty air (seaside):

Use outdoor unit that is specially designed to resist corrosion.

Step 2: Install drain joint(Heat pump unit only)

Before bolting the outdoor unit in place, you must install the drain joint at the bottom of the unit. Note that there are two different types of drain joints depending on the type of outdoor unit.

If the drain joint comes with a rubber seal

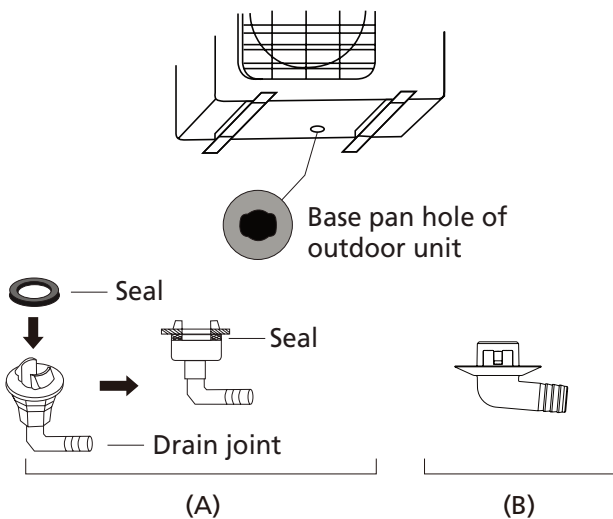
(see Fig. A), do the following:

1. Fit the rubber seal on the end of the drain joint that will connect to the outdoor unit.
2. Insert the drain joint into the hole in the base pan of the unit.
3. Rotate the drain joint 90° until it clicks in place facing the front of the unit.
4. Connect a drain hose extension (not included) to the drain joint to redirect water from the unit during heating mode.

If the drain joint doesn't come with a rubber seal

(see Fig. B), do the following:

1. Insert the drain joint into the hole in the base pan of the unit. The drain joint will click in place.
2. Connect a drain hose extension (not included) to the drain joint to redirect water from the unit during heating mode.

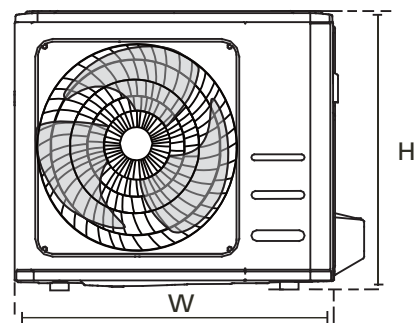
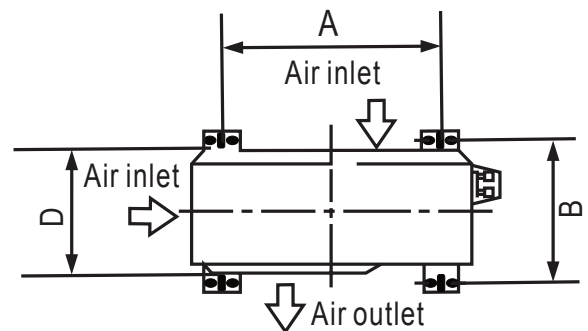


Step 3: Anchor outdoor unit

The outdoor unit can be anchored to the ground or to a wall-mounted bracket with bolt(M10). Prepare the installation base of the unit according to the dimensions below.

UNIT MOUNTING DIMENSIONS

The following is a list of different outdoor unit sizes and the distance between their mounting feet. Prepare the installation base of the unit according to the dimensions below.



! IN COLD CLIMATES

In cold climates, make sure that the drain hose is as vertical as possible to ensure swift water drainage. If water drains too slowly, it can freeze in the hose and flood the unit.

Outdoor Unit Dimensions (mm)	Mounting Dimensions	
	W x H x D	Distance A (mm)
681x434x285 (26.8"x17.1"x11.2")	460 (18.1")	292 (11.5")
700x550x270 (27.5"x21.6"x10.6")	450 (17.7")	260 (10.2")
700x550x275 (27.5"x21.6"x10.8")	450 (17.7")	260 (10.2")
720x495x270 (28.3"x19.5"x10.6")	452 (17.8")	255 (10.0")
728x555x300 (28.7"x21.8"x11.8")	452 (17.8")	302(11.9")
765x555x303 (30.1"x21.8"x11.9")	452 (17.8")	286(11.3")
770x555x300 (30.3"x21.8"x11.8")	487 (19.2")	298 (11.7")
805x554x330 (31.7"x21.8"x12.9")	511 (20.1")	317 (12.5")
800x554x333 (31.5"x21.8"x13.1")	514 (20.2")	340 (13.4")
845x702x363 (33.3"x27.6"x14.3")	540 (21.3")	350 (13.8")
890x673x342 (35.0"x26.5"x13.5")	663 (26.1")	354 (13.9")
946x810x420 (37.2"x31.9"x16.5")	673 (26.5")	403 (15.9")
946x810x410 (37.2"x31.9"x16.1")	673 (26.5")	403 (15.9")

If you will install the unit on the ground or on a concrete mounting platform, do the following:

1. Mark the positions for four expansion bolts based on dimensions chart.
2. Pre-drill holes for expansion bolts.
3. Place a nut on the end of each expansion bolt.
4. Hammer expansion bolts into the pre-drilled holes.
5. Remove the nuts from expansion bolts, and place outdoor unit on bolts.
6. Put washer on each expansion bolt, then replace the nuts.
7. Using a wrench, tighten each nut until snug.



WARNING

WHEN DRILLING INTO CONCRETE, EYE PROTECTION IS RECOMMENDED AT ALL TIMES.

If you will install the unit on a wall-mounted bracket, do the following:



CAUTION

Make sure that the wall is made of solid brick, concrete, or of similarly strong material. **The wall must be able to support at least four times the weight of the unit.**

1. Mark the position of bracket holes based on dimensions chart.
2. Pre-drill the holes for the expansion bolts.
3. Place a washer and nut on the end of each expansion bolt.
4. Thread expansion bolts through holes in mounting brackets, put mounting brackets in position, and hammer expansion bolts into the wall.
5. Check that the mounting brackets are level.
6. Carefully lift unit and place its mounting feet on brackets.
7. Bolt the unit firmly to the brackets.
8. If allowed, install the unit with rubber gaskets to reduce vibrations and noise.

Step 4: Connect signal and power cables

The outside unit's terminal block is protected by an electrical wiring cover on the side of the unit. A comprehensive wiring diagram is printed on the inside of the wiring cover.

WARNING

BEFORE PERFORMING ANY ELECTRICAL OR WIRING WORK, TURN OFF THE MAIN POWER TO THE SYSTEM.

1. Prepare the cable for connection:

USE THE RIGHT CABLE

Please choose the right cable refer to "Cable types" in page 25.

CHOOSE THE RIGHT CABLE SIZE

The size of the power supply cable, signal cable, fuse, and switch needed is determined by the maximum current of the unit. The maximum current is indicated on the nameplate located on the side panel of the unit.

NOTE: In North America, please choose the right cable size according to the Minimum Circuit Ampacity indicated on the nameplate of the unit.

- Using wire strippers, strip the rubber jacket from both ends of cable to reveal about 40mm (1.57in) of the wires inside.
- Strip the insulation from the ends of the wires.
- Using a wire crimper, crimp u-lugs on the ends of the wires.

PAY ATTENTION TO LIVE WIRE

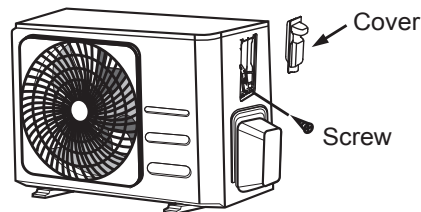
While crimping wires, make sure you clearly distinguish the Live ("L") Wire from other wires.

WARNING

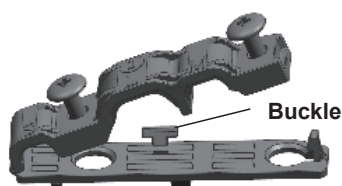
ALL WIRING WORK MUST BE PERFORMED STRICTLY IN ACCORDANCE WITH THE WIRING DIAGRAM LOCATED INSIDE OF WIRE COVER OF THE OUTDOOR UNIT .

- Unscrew the electrical wiring cover and remove it.
- Unscrew the cable clamp below the terminal block and place it to the side.
- Connect the wire according to the wiring diagram, and firmly screw the u-lug of each wire to its corresponding terminal.
- After checking to make sure every connection is secure, loop the wires around to prevent rain water from flowing into the terminal.
- Using the cable clamp, fasten the cable to the unit. Screw the cable clamp down tightly.

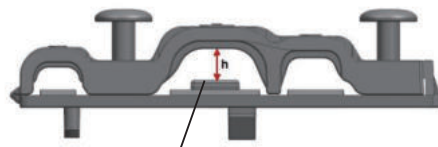
- Insulate unused wires with PVC electrical tape. Arrange them so that they do not touch any electrical or metal parts.
- Replace the wire cover on the side of the unit, and screw it in place.



NOTE: If the cable clamp looks like the following, please select the appropriate through-hole according to the diameter of the wire.



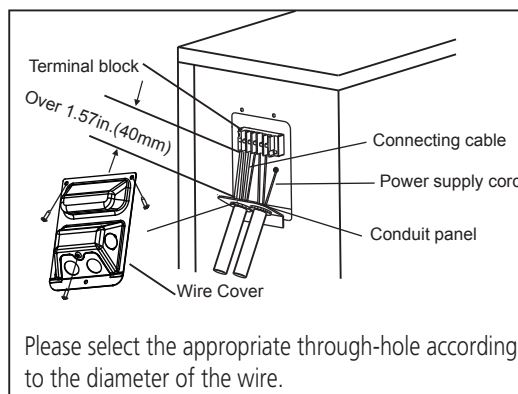
Three size hole: Small, Large, Medium



When the cable is not fasten enough, use the buckle to prop it up, so it can be clamped tightly.

In North America

- Remove the wire cover from the unit by loosening the 3 screws.
- Dismount caps on the conduit panel.
- Temporarily mount the conduit tubes(not included) on the conduit panel.
- Properly connect both the power supply and low voltage lines to the corresponding terminals on the terminal block.
- Ground the unit in accordance with local codes.
- Be sure to size each wire allowing several inches longer than the required length for wiring.
- Use lock nuts to secure the conduit tubes.



Refrigerant Piping Connection

When connecting refrigerant piping, **do not** let substances or gases other than the specified refrigerant enter the unit. The presence of other gases or substances will lower the unit's capacity, and can cause abnormally high pressure in the refrigeration cycle. This can cause explosion and injury.

Note on Pipe Length

The length of refrigerant piping will affect the performance and energy efficiency of the unit. Nominal efficiency is tested on units with a pipe length of 5 meters (16.5ft) (In North America, the standard pipe length is 7.5m (25'). A minimum pipe run of 3 metres is required to minimise vibration & excessive noise. In special tropical area, for the R290 refrigerant models, no refrigerant can be added and the maximum length of refrigerant pipe should not exceed 10 meters(32.8ft).

Refer to the table below for specifications on the maximum length and drop height of piping.

Maximum Length and Drop Height of Refrigerant Piping per Unit Model

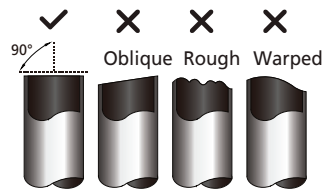
Model	Capacity (BTU/h)	Max. Length (m)	Max. Drop Height (m)
R410A,R32 Inverter Split Air Conditioner	< 15,000	25 (82ft)	10 (33ft)
	≥ 15,000 and < 24,000	30 (98.5ft)	20 (66ft)
	≥ 24,000 and < 36,000	50 (164ft)	25 (82ft)
R22 Fixed-speed Split Air Conditioner	< 18,000	10 (33ft)	5 (16ft)
	≥ 18,000 and < 21,000	15 (49ft)	8(26ft)
	≥ 21,000 and < 35,000	20 (66ft)	10(33ft)
R410A, R32 Fixed-speed Split Air Conditioner	< 18,000	20 (66ft)	8(26ft)
	≥ 18,000 and < 36,000	25 (82ft)	10(33ft)

Connection Instructions – Refrigerant Piping

Step 1: Cut pipes

When preparing refrigerant pipes, take extra care to cut and flare them properly. This will ensure efficient operation and minimize the need for future maintenance.

1. Measure the distance between the indoor and outdoor units.
2. Using a pipe cutter, cut the pipe a little longer than the measured distance.
3. Make sure that the pipe is cut at a perfect 90° angle.



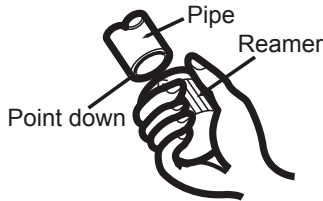
DO NOT DEFORM PIPE WHILE CUTTING

Be extra careful not to damage, dent, or deform the pipe while cutting. This will drastically reduce the heating efficiency of the unit.

Step 2: Remove burrs

Burrs can affect the air-tight seal of refrigerant piping connection. They must be completely removed.

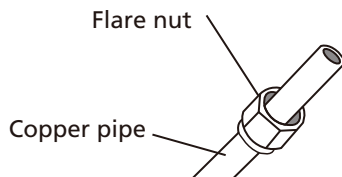
1. Hold the pipe at a downward angle to prevent burrs from falling into the pipe.
2. Using a reamer or deburring tool, remove all burrs from the cut section of the pipe.



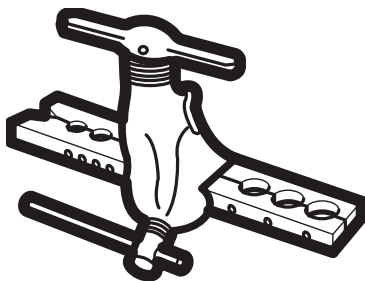
Step 3: Flare pipe ends

Proper flaring is essential to achieve an airtight seal.

1. After removing burrs from cut pipe, seal the ends with PVC tape to prevent foreign materials from entering the pipe.
2. Sheath the pipe with insulating material.
3. Place flare nuts on both ends of pipe. Make sure they are facing in the right direction, because you can't put them on or change their direction after flaring.

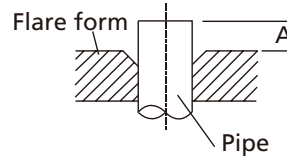


4. Remove PVC tape from ends of pipe when ready to perform flaring work.
5. Clamp flare form on the end of the pipe. The end of the pipe must extend beyond the edge of the flare form in accordance with the dimensions shown in the table below.



PIPING EXTENSION BEYOND FLARE FORM

Outer Diameter of Pipe (mm)	A (mm)	
	Min.	Max.
Ø 6.35 (Ø 0.25")	0.7 (0.0275")	1.3 (0.05")
Ø 9.52 (Ø 0.375")	1.0 (0.04")	1.6 (0.063")
Ø 12.7 (Ø 0.5")	1.0 (0.04")	1.8 (0.07")
Ø 16 (Ø 0.63")	2.0 (0.078")	2.2 (0.086")
Ø 19 (Ø 0.75")	2.0 (0.078")	2.4 (0.094")



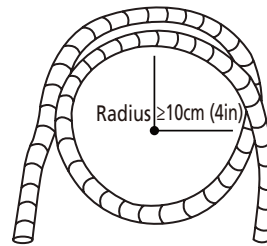
6. Place flaring tool onto the form.
7. Turn the handle of the flaring tool clockwise until the pipe is fully flared.
8. Remove the flaring tool and flare form, then inspect the end of the pipe for cracks and even flaring.

Step 4: Connect pipes

When connecting refrigerant pipes, be careful not to use excessive torque or to deform the piping in any way. You should first connect the low-pressure pipe, then the high-pressure pipe.

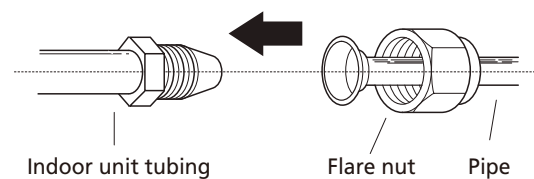
MINIMUM BEND RADIUS

When bending connective refrigerant piping, the minimum bending radius is 10cm.

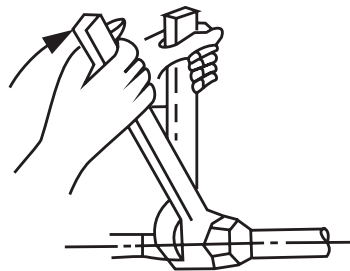


Instructions for Connecting Piping to Indoor Unit

1. Align the center of the two pipes that you will connect.



- Tighten the flare nut as tightly as possible by hand.
- Using a spanner, grip the nut on the unit tubing.
- While firmly gripping the nut on the unit tubing, use a torque wrench to tighten the flare nut according to the torque values in the **Torque Requirements** table below. Loosen the flaring nut slightly, then tighten again.



TORQUE REQUIREMENTS

Outer Diameter of Pipe (mm)	Tightening Torque (N•m)	Flare dimension(B) (mm)	Flare shape
Ø 6.35 (Ø 0.25")	18~20(180~200kgf.cm)	8.4~8.7 (0.33~0.34")	
Ø 9.52 (Ø 0.375")	32~39(320~390kgf.cm)	13.2~13.5 (0.52~0.53")	
Ø 12.7 (Ø 0.5")	49~59(490~590kgf.cm)	16.2~16.5 (0.64~0.65")	
Ø 16 (Ø 0.63")	57~71(570~710kgf.cm)	19.2~19.7 (0.76~0.78")	
Ø 19 (Ø 0.75")	67~101(670~1010kgf.cm)	23.2~23.7 (0.91~0.93")	

⊘ DO NOT USE EXCESSIVE TORQUE

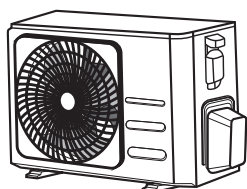
Excessive force can break the nut or damage the refrigerant piping. You must not exceed torque requirements shown in the table above.

Instructions for Connecting Piping to Outdoor Unit

- Unscrew the cover from the packed valve on the side of the outdoor unit.
- Remove protective caps from ends of valves.
- Align flared pipe end with each valve, and tighten the flare nut as tightly as possible by hand.
- Using a spanner, grip the body of the valve. Do not grip the nut that seals the service valve.
- Loosen the flaring nut slightly, then tighten again.
- Repeat Steps 3 to 6 for the remaining pipe.

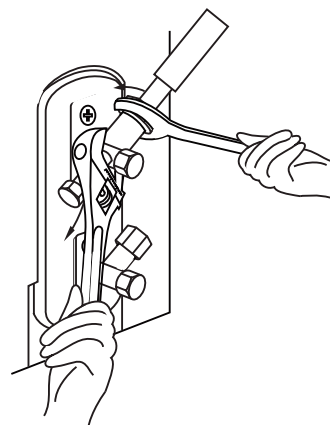
⚠ USE SPANNER TO GRIP MAIN BODY OF VALVE

Torque from tightening the flare nut can snap off other parts of valve.



Valve cover

- While firmly gripping the body of the valve, use a torque wrench to tighten the flare nut according to the correct torque values.



Air Evacuation

Preparations and Precautions

Air and foreign matter in the refrigerant circuit can cause abnormal rises in pressure, which can damage the air conditioner, reduce its efficiency, and cause injury. Use a vacuum pump and manifold gauge to evacuate the refrigerant circuit, removing any non-condensable gas and moisture from the system.

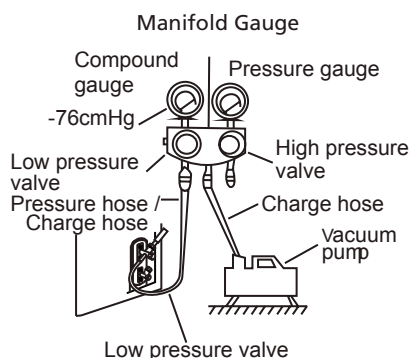
Evacuation should be performed upon initial installation and when unit is relocated.

BEFORE PERFORMING EVACUATION

- ☑ Check to make sure the connective pipes between the indoor and outdoor units are connected properly.
- ☑ Check to make sure all wiring is connected properly.

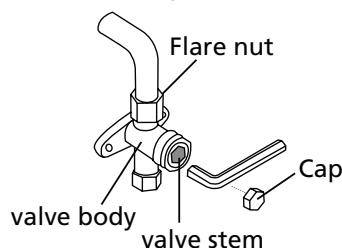
Evacuation Instructions

1. Connect the charge hose of the manifold gauge to service port on the outdoor unit's low pressure valve.
2. Connect another charge hose from the manifold gauge to the vacuum pump.
3. Open the Low Pressure side of the manifold gauge. Keep the High Pressure side closed.
4. Turn on the vacuum pump to evacuate the system.
5. Run the vacuum for at least 15 minutes, or until the Compound Meter reads -76cmHg (-10^5Pa).



6. Close the Low Pressure side of the manifold gauge, and turn off the vacuum pump.
7. Wait for 5 minutes, then check that there has been no change in system pressure.

8. If there is a change in system pressure, refer to Gas Leak Check section for information on how to check for leaks. If there is no change in system pressure, unscrew the cap from the packed valve (high pressure valve).
9. Insert hexagonal wrench into the packed valve (high pressure valve) and open the valve by turning the wrench in a $1/4$ counterclockwise turn. Listen for gas to exit the system, then close the valve after 5 seconds.
10. Watch the Pressure Gauge for one minute to make sure that there is no change in pressure. The Pressure Gauge should read slightly higher than atmospheric pressure.
11. Remove the charge hose from the service port.



12. Using hexagonal wrench, fully open both the high pressure and low pressure valves.
13. Tighten valve caps on all three valves (service port, high pressure, low pressure) by hand. You may tighten it further using a torque wrench if needed.

! OPEN VALVE STEMS GENTLY

When opening valve stems, turn the hexagonal wrench until it hits against the stopper. Do not try to force the valve to open further.

Note on Adding Refrigerant

Some systems require additional charging depending on pipe lengths. The standard pipe length varies according to local regulations. For example, in North America, the standard pipe length is 7.5m (25'). In other areas, the standard pipe length is 5m (16'). The refrigerant should be charged from the service port on the outdoor unit's low pressure valve. The additional refrigerant to be charged can be calculated using the following formula:

ADDITIONAL REFRIGERANT PER PIPE LENGTH

Connective Pipe Length (m)	Air Purging Method	Additional Refrigerant	
≤ Standard pipe length	Vacuum Pump	N/A	
> Standard pipe length	Vacuum Pump	Liquid Side: Ø 6.35 (ø 0.25") R32: (Pipe length – standard length) x 12g/m (Pipe length – standard length) x 0.13oZ/ft R290: (Pipe length – standard length) x 10g/m (Pipe length – standard length) x 0.10oZ/ft R410A: (Pipe length – standard length) x 15g/m (Pipe length – standard length) x 0.16oZ/ft R22: (Pipe length – standard length) x 20g/m (Pipe length – standard length) x 0.21oZ/ft	Liquid Side: Ø 9.52 (ø 0.375") R32: (Pipe length – standard length) x 24g/m (Pipe length – standard length) x 0.26oZ/ft R290: (Pipe length – standard length) x 18g/m (Pipe length – standard length) x 0.19oZ/ft R410A: (Pipe length – standard length) x 30g/m (Pipe length – standard length) x 0.32oZ/ft R22: (Pipe length – standard length) x 40g/m (Pipe length – standard length) x 0.42oZ/ft

For R290 refrigerant unit, the total amount of refrigerant to be charged is no more than: 387g(≤9000Btu/h), 447g(>9000Btu/h and ≤12000Btu/h), 547g(>12000Btu/h and ≤18000Btu/h), 632g(>18000Btu/h and ≤24000Btu/h).

 **CAUTION** DO NOT mix refrigerant types.

Electrical and Gas Leak Checks

Before Test Run

Only perform test run after you have completed the following steps:

- **Electrical Safety Checks** – Confirm that the unit's electrical system is safe and operating properly
- **Gas Leak Checks** – Check all flare nut connections and confirm that the system is not leaking
- Confirm that gas and liquid (high and low pressure) valves are fully open

Electrical Safety Checks

After installation, confirm that all electrical wiring is installed in accordance with local and national regulations, and according to the Installation Manual.

BEFORE TEST RUN

Check Grounding Work

Measure grounding resistance by visual detection and with grounding resistance tester. Grounding resistance must be less than 0.1Ω .

Note: This may not be required for some locations in North America.

DURING TEST RUN

Check for Electrical Leakage

During the **Test Run**, use an electroprobe and multimeter to perform a comprehensive electrical leakage test.

If electrical leakage is detected, turn off the unit immediately and call a licensed electrician to find and resolve the cause of the leakage.

Note: This may not be required for some locations in North America.

WARNING – RISK OF ELECTRIC SHOCK

ALL WIRING MUST COMPLY WITH LOCAL AND NATIONAL ELECTRICAL CODES, AND MUST BE INSTALLED BY A LICENSED ELECTRICIAN.

Gas Leak Checks

There are two different methods to check for gas leaks.

Soap and Water Method

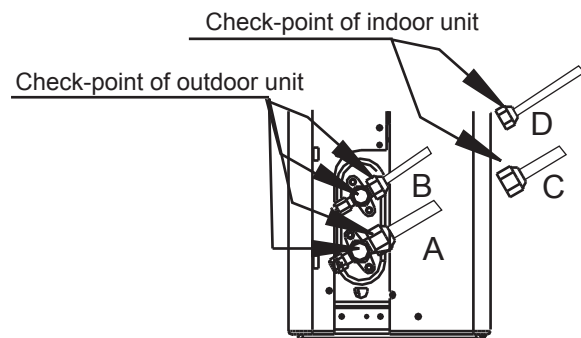
Using a soft brush, apply soapy water or liquid detergent to all pipe connection points on the indoor unit and outdoor unit. The presence of bubbles indicates a leak.

Leak Detector Method

If using leak detector, refer to the device's operation manual for proper usage instructions.

AFTER PERFORMING GAS LEAK CHECKS

After confirming that the all pipe connection points DO NOT leak, replace the valve cover on the outside unit.



A: Low pressure stop valve
B: High pressure stop valve
C & D: Indoor unit flare nuts

Test Run

Test Run Instructions

You should perform the **Test Run** for at least 30 minutes.

1. Connect power to the unit.
2. Press the **ON/OFF** button on the remote controller to turn it on.
3. Press the **MODE** button to scroll through the following functions, one at a time:
 - COOL – Select lowest possible temperature
 - HEAT – Select highest possible temperature
4. Let each function run for 5 minutes, and perform the following checks:

List of Checks to Perform	PASS/FAIL	
No electrical leakage		
Unit is properly grounded		
All electrical terminals properly covered		
Indoor and outdoor units are solidly installed		
All pipe connection points do not leak	Outdoor (2):	Indoor (2):
Water drains properly from drain hose		
All piping is properly insulated		
Unit performs COOL function properly		
Unit performs HEAT function properly		
Indoor unit louvers rotate properly		
Indoor unit responds to remote controller		

DOUBLE-CHECK PIPE CONNECTIONS

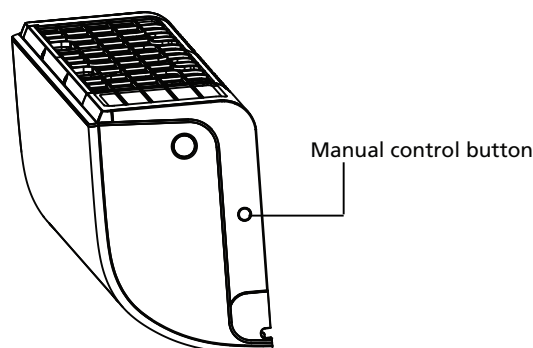
During operation, the pressure of the refrigerant circuit will increase. This may reveal leaks that were not present during your initial leak check. Take time during the Test Run to double-check that all refrigerant pipe connection points do not have leaks. Refer to **Gas Leak Check** section for instructions.

5. After the Test Run is successfully completed, and you confirm that all checks points in List of Checks to Perform have PASSED, do the following:
 - a. Using remote control, return unit to normal operating temperature.
 - b. Using insulation tape, wrap the indoor refrigerant pipe connections that you left uncovered during the indoor unit installation process.

IF AMBIENT TEMPERATURE IS BELOW 17°C (62°F)

You can't use the remote controller to turn on the COOL function when the ambient temperature is below 17°C. In this instance, you can use the **MANUAL CONTROL** button to test the COOL function.

1. The **MANUAL CONTROL** button is located on the right-hand side panel of the unit.
2. Press the button 2 times to select the COOL function.
3. Perform Test Run as normal.



Impedance Information

(Applicable to some countries of Middle East Area only)

This appliance MSAEB-09HRN1-QC8 can be connected only to a supply with system impedance no more than 0.459Ω . In case necessary, please consult your supply authority for system impedance information.

This appliance MSAEB-12HRN1-QC8 can be connected only to a supply with system impedance no more than 0.398Ω . In case necessary, please consult your supply authority for system impedance information.

This appliance MSAEC-15HRN1-QC8 can be connected only to a supply with system impedance no more than 0.330Ω . In case necessary, please consult your supply authority for system impedance information.

This appliance MSAED-18HRN1-QC8 can be connected only to a supply with system impedance no more than 0.215Ω . In case necessary, please consult your supply authority for system impedance information.

The design and specifications are subject to change without prior notice for product improvement. Consult with the sales agency or manufacturer for details. Any updates to the manual will be uploaded to the service website, please check for the latest version.

CS005UI-AE(C)



Split Air Conditioner Blue Angel

POWER SOURCE:
220-240V~50Hz,1ph
RATED INPUT: 2200W



Read this manual carefully before installing or operating your new air conditioning unit. Make sure to save this manual for future reference.

Inhaltsverzeichnis

Sicherheitsvorkehrungen	04
--------------------------------------	-----------

Gebrauchsanleitung

Gerätespezifikationen und -merkmale	08
--	-----------

1. Anzeige der Inneneinheit	08
2. Betriebstemperatur	09
3. Andere Eigenschaften	10
4. Einstellwinkel des Luftstroms	11
5. Manuelle Bedienung (ohne Fernbedienung)	11

Pflege und Wartung	12
---------------------------------	-----------

Fehlerbehebung	14
-----------------------------	-----------

Installationsanleitung

Zubehör.....	17
Installationszusammenfassung - Innengerät	18
Geräteteile	19
Installation der Inneneinheit	20

1. Installationsort wählen.....	20
2. Montageplatte an der Wand befestigen	20
3. Wandloch für die Anschlussverrohrung bohren	21
4. Kältemittelverrohrung vorbereiten.....	22
5. Ablassschlauch anschließen	24
6. Signalkabel anschließen.....	25
7. Rohrleitungen und Kabel umwickeln	26
8. Innengerät montieren	27

Installation der Außeneinheit

27

1. Installationsort wählen.....	27
2. Ablaufstutzen installieren	28
3. Außengerät verankern.....	28
4. Signal- und Stromkabel anschließen	30

Anschluss von Kältemittelleitungen.....

31

A. Hinweis zur Rohrlänge	31
B. Anweisungen zum Anschließen - Kältemittelleitungen	31
1. Rohr abschneiden	31
2. Grate entfernen	32
3. Rohrenden aufbördeln	32
4. Rohre verbinden	32

Luftablass.....

34

1. Evakuierungsanweisungen	34
2. Hinweis zum Hinzufügen von Kältemittel.....	35

Überprüfung auf Elektro- und Gas-Lecks

36

Testlauf

37

Sicherheitsvorkehrungen

Lesen Sie die Sicherheitsvorkehrungen vor dem Betrieb und der Installation
Falsche Installation wegen Nichtbeachtung der Anweisungen kann zu schweren Schäden oder Verletzungen führen.

Der Schweregrad potenzieller Schäden oder Verletzungen wird entweder als **WARNUNG** oder **VORSICHT** klassifiziert.



WARNUNG

Dieses Symbol weist auf die Möglichkeit von Personenschäden oder den Verlust des Lebens hin.



VORSICHT

Dieses Symbol weist auf mögliche Sachschäden oder schwerwiegende Folgen hin.



WARNUNG

Dieses Gerät kann von Kindern ab 8 Jahren und darüber sowie von Personen mit verringerten physischen, sensorischen oder mentalen Fähigkeiten oder Mangel an Erfahrung und Wissen benutzt werden, wenn sie beaufsichtigt oder bezüglich des sicheren Gebrauchs des Geräts unterwiesen wurden und die daraus resultierenden Gefahren verstehen. Kinder dürfen nicht mit dem Gerät spielen. Reinigung und Benutzerwartung dürfen nicht von Kindern ohne Aufsicht durchgeführt werden (Länder der Europäischen Union). Dieses Gerät ist nicht dafür bestimmt, durch Personen (einschließlich Kinder) mit eingeschränkten physischen, sensorischen oder geistigen Fähigkeiten oder mangels Erfahrung und mangels Wissen benutzt zu werden, es sei denn, sie werden durch eine für ihre Sicherheit zuständige Person beaufsichtigt oder erhielten von ihr Anweisungen, wie das Gerät zu benutzen ist. Kinder sollten beaufsichtigt werden, um sicherzustellen, dass sie nicht mit dem Gerät spielen.



HINWEISE FÜR VERWENDUNG

- Wenn eine abnormale Situation auftritt (z. B. Brandgeruch), schalten Sie das Gerät sofort aus und trennen Sie es von der Stromversorgung. Rufen Sie Ihren Händler an, um Anweisungen zur Vermeidung von Stromschlag, Feuer oder Verletzungen zu erhalten.
- Stecken Sie **keine** Finger, Stäbe oder andere Gegenstände in den Lufteinlass oder -auslass. Dies kann zu Verletzungen führen, da sich der Lüfter mit hoher Geschwindigkeit drehen kann.
- Verwenden Sie **keine** brennbaren Sprays wie Haarspray, Lack oder Farbe in der Nähe des Geräts. Dies kann einen Brand oder eine Verbrennung verursachen.
- Betreiben Sie das Klimagerät **nicht** an Orten in der Nähe von brennbaren Gasen oder in deren Umfeld. Ausströmendes Gas kann sich um das Gerät sammeln und eine Explosion verursachen.
- Betreiben Sie Ihr Klimagerät **nicht** in einem Nassraum wie z. B. einem Badezimmer oder einer Waschküche. Eine zu starke Wassereinwirkung kann zu einem Kurzschluss der elektrischen Komponenten führen.
- Setzen Sie Ihren Körper **nicht** für längere Zeit direkt gekühlter Luft aus.
- Erlauben Sie Kindern **nicht**, mit dem Klimagerät zu spielen. Kinder müssen in der Nähe des Geräts jederzeit beaufsichtigt werden.
- Wenn das Klimagerät zusammen mit anderen Heizgeräten verwendet wird, lüften Sie den Raum gründlich, um Sauerstoffmangel zu vermeiden.
- In bestimmten Funktionsumgebungen wie Küchen, Serverräumen usw. wird die Verwendung von speziell entwickelten Klimaanlage dringend empfohlen.

REINIGUNGS- UND WARTUNGSHINWEISE

- Schalten Sie das Gerät aus und trennen Sie es von der Stromversorgung, bevor Sie es reinigen. Andernfalls kann es zu einem elektrischen Schlag kommen.
- Reinigen Sie die Klimaanlage bitte **nicht** mit zu viel Wasser.
- Reinigen Sie das Klimagerät **nicht** mit brennbaren Reinigungsmitteln. Brennbare Reinigungsmittel können Feuer oder Verformungen verursachen.



VORSICHT

- Schalten Sie die Klimaanlage und die Stromversorgung aus, wenn Sie das Gerät für eine lange Zeit nicht verwenden.
- Während eines Gewitters sollten Sie die Einheit abschalten.
- Stellen Sie sicher, dass Kondenswasser aus der Einheit ungehindert ablaufen kann.
- Bedienen Sie das Klimagerät **nicht** mit nassen Händen. Dies kann zu einem elektrischen Schlag führen.
- Verwenden Sie bitte das Gerät **nur** für den vorgesehenen Zweck.
- Klettern Sie bitte **nicht** auf die Außenlufteinheit und stellen Sie auch keine Gegenstände darauf.
- Lassen Sie die Klimaanlage bitte **nicht** bei geöffneten Türen oder Fenstern oder bei sehr hoher Luftfeuchtigkeit längere Zeit arbeiten.



ELEKTRISCHE WARNUNGEN

- Verwenden Sie nur das angegebene Netzkabel. Wenn das Netzkabel beschädigt ist, muss es durch den Hersteller, seinen Kundendienst oder ähnlich qualifizierte Personen ersetzt werden, um eine Gefährdung zu vermeiden.
- Halten Sie den Netzstecker sauber. Entfernen Sie jeglichen Staub oder Schmutz, der sich auf oder um den Stecker herum ansammelt. Verschmutzte Stecker können Feuer oder einen elektrischen Schlag verursachen.
- Ziehen Sie **nicht** am Netzkabel, um das Gerät auszustecken. Halten Sie den Stecker fest und ziehen Sie ihn aus der Steckdose. Durch direktes Ziehen am Kabel kann dieses beschädigt werden, was zu einem Brand oder Stromschlag führen kann.
- Ändern Sie **nicht** die Länge des Netzkabels und benutzen Sie kein Verlängerungskabel um die Einheit mit Strom zu versorgen.
- Teilen Sie die Steckdose **nicht** mit anderen Geräten. Eine unsachgemäße oder unzureichende Stromversorgung kann einen Brand oder elektrischen Schlag verursachen.
- Das Produkt muss zum Zeitpunkt der Installation ordnungsgemäß geerdet sein, oder es kann ein elektrischer Schlag verursacht werden.
- Befolgen Sie bei allen elektrischen Arbeiten alle lokalen und nationalen Verdrahtungsnormen, Vorschriften und das Installationshandbuch. Schließen Sie die Kabel fest an und klemmen Sie sie sicher ab, um zu verhindern, dass äußere Kräfte das Terminal beschädigen. Unsachgemäße elektrische Anschlüsse können überhitzen und einen Brand verursachen, außerdem kann es zu einem Stromschlag kommen. Alle elektrischen Anschlüsse müssen gemäß dem elektrischen Anschlussplan erfolgen, der sich auf den Schalttafeln der Innen- und Außengeräte befindet.
- Die gesamte Verdrahtung muss ordnungsgemäß angeordnet sein, damit die Abdeckung der Steuerplatine richtig geschlossen werden kann. Wenn die Abdeckung der Steuerplatine nicht richtig geschlossen ist, kann dies zu Korrosion führen und dazu, dass sich die Anschlussstellen am Terminal erhitzen, Feuer fangen oder einen elektrischen Schlag verursachen.
- Beim Anschließen von Strom an eine feste Verdrahtung eine allpolige Trennvorrichtung mit mindestens 3 mm Abstand in allen Polen aufweist und einen Ableitstrom von mehr als 10 mA aufweisen kann, wobei die Fehlerstromvorrichtung (RCD) einen Nennfehlerbetriebsstrom von nicht mehr als 30 mA aufweist und die Trennung in die feste Verkabelung gemäß den Verdrahtungsregeln integriert werden muss. Die Einheit

BEACHTEN SIE SICHERHEITSDATEN DER SICHERUNG

Die Platine (PCB) der Klimaanlage ist mit einer Sicherung für Überstromschutz ausgestattet. Die Spezifikationen der Sicherung sind auf der Platine aufgedruckt, wie z. B.: T3.15AL/250VAC, T5AL/250VAC, T3.15A/250VAC, T5A/250VAC, T20A/250VAC, T30A/250VAC, etc. HINWEIS: Für die Geräte mit dem Kältemittel R32 oder R290 kann nur die explosionsgeschützte Keramiksicherung verwendet werden.



HINWEISE FÜR PRODUKT INSTALLATION

1. Die Installation muss von einem autorisierten Händler oder Fachmann durchgeführt werden. Eine fehlerhafte Installation kann zu Wasseraustritt, elektrischem Schlag oder Brand führen.
2. Die Installation muss gemäß der Installationsanleitung erfolgen. Eine unsachgemäße Installation kann zu Wasseraustritt, elektrischem Schlag oder Brand führen.
(In Nordamerika darf die Installation nur von autorisiertem Personal in Übereinstimmung mit den Anforderungen von NEC und CEC durchgeführt werden).
3. Wenden Sie sich für die Reparatur oder Wartung dieses Geräts an einen autorisierten Servicetechniker. Dieses Gerät muss in Übereinstimmung mit den nationalen Verdrahtungsvorschriften installiert werden.
4. Verwenden Sie nur das mitgelieferte Zubehör, die Teile und die angegebenen Teile für die Installation. Die Verwendung nicht genormter Teile kann zu Wasseraustritt, elektrischem Schlag, Feuer und zum Ausfall des Geräts führen.
5. Installieren Sie das Gerät an einem festen Ort, der das Gewicht des Geräts tragen kann. Wenn der gewählte Standort das Gewicht des Geräts nicht tragen kann oder die Installation nicht ordnungsgemäß durchgeführt wird, kann das Gerät herunterfallen und schwere Verletzungen und Schäden verursachen.
6. Installieren Sie die Entwässerungsrohre gemäß den Anweisungen in dieser Anleitung. Eine unsachgemäße Entwässerung kann zu Wasserschäden an Ihrem Haus und Eigentum führen.
7. Bei Geräten mit elektrischer Zusatzheizung darf das Gerät **nicht** in einem Abstand von weniger als 1 Meter (3 Füße) zu brennbaren Materialien installiert werden.
8. Installieren Sie das Gerät **nicht** an einem Ort, an dem brennbares Gas austreten kann. Wenn sich brennbares Gas in der Nähe des Geräts ansammelt, kann dies einen Brand verursachen.
9. Schalten Sie den Strom erst ein, wenn alle Arbeiten abgeschlossen sind.
10. Wenden Sie sich an einen erfahrenen Servicetechniker, wenn Sie das Klimagerät bewegen oder umstellen, um die Einheit zu trennen und wieder zu installieren
11. Wie Sie die Einheit an der Halterung anbringen, lesen Sie bitte die Informationen unter „Installation der Inneneinheit“ und „Installation der Außeneinheit“.
12. Die Klimageräte dürfen nur von qualifizierten Fachbetrieben gemäß § 6 der „Verordnung zum Schutz des Klimas vor Veränderungen durch Freisetzung bestimmter uorinierter Treibhausgase“ (Chemikalien-Klimaschutzverordnung - ChemKlimaschutzV) installiert, gewartet und instand gehalten werden. Die Installation muss von einem zertifizierten Klima- und Kältetechniker gemäß Kategorie I der Verordnung (EG) Nr. 303/2008 15 oder gemäß der Durchführungsverordnung (EU) 2015/2067 16 der Kommission durchgeführt werden.



WARNUNG bei Verwendung des Kältemittels R32/R290

- Bei Verwendung von ammoniakhaltigen Kältemitteln muss das Gerät in einem gut belüfteten Bereich gelagert werden, dessen Raumgröße der für den Betrieb angegebenen Raumfläche entspricht.
Für Modelle mit R32-Kältemittel: Das Gerät muss in einem Raum mit einer Bodenfläche von mehr als 4 m² installiert, betrieben und gelagert werden.
Das Gerät darf nicht in einem unbelüfteten Raum installiert werden, wenn dieser Raum kleiner als 4 m² ist.
Für Modelle mit R290-Kältemittel ist die erforderliche Mindestraumgröße:
2
>9000Btu/h und 2
>12000Btu/h und 2
>18000Btu/h und 2
Wiederverwendbare mechanische Anschlüsse und Verbindungen sind in Innenräumen nicht zulässig.



WARNUNG bei Verwendung des Kältemittels R32/R290

- Wiederverwendbare mechanische Verbinder und Dichtungen sind in Innenräumen nicht zulässig. (Anforderungen der EN-Norm).
- Mechanische Steckverbinder, die in Innenräumen verwendet werden, dürfen eine Rate von nicht mehr als 3 g/Jahr bei 25 % des maximal zulässigen Drucks aufweisen. Wenn mechanische Verbinder in Innenräumen wiederverwendet werden, müssen die Dichtungsteile erneuert werden. Bei der Wiederverwendung von Muffen in Innenräumen müssen die Dichtungsteile erneuert werden. (Anforderungen der UL-Norm)
- Wenn mechanische Verbindungen im Innenbereich wiederverwendet werden, müssen die Dichtungsteile erneuert werden. Bei der Wiederverwendung von Muffen im Innenbereich müssen die Muffenteile neu gefertigt werden. (Anforderungen der IEC-Norm)
- Mechanische Verbinder, die in Innenräumen verwendet werden, müssen der ISO 14903 entsprechen.

Europäische Entsorgungsrichtlinien

Dieses Kennzeichen auf dem Produkt oder seine Literatur, zeigt an, dass Elektro- und elektrische Ausrüstung sollte nicht mit dem Haushaltsabfall entsorgt werden. Die Kennzeichnung auf dem Produkt oder in dessen Literatur weist darauf hin, dass elektrische und elektronische Geräte nicht mit dem normalen Hausmüll entsorgt werden dürfen.



Korrekte Entsorgung dieses Produktes (Elektro- und elektronische Altgeräte)

Dieses Gerät enthält Kältemittel und andere potenziell gefährliche Materialien. Bei der Entsorgung dieses Geräts schreibt das Gesetz eine spezielle Sammlung und Behandlung vor. Entsorgen Sie dieses Produkt **nicht** als Hausmüll oder unsortierten Siedlungsabfall.

Wenn Sie dieses Gerät entsorgen, haben Sie folgende Möglichkeiten:

- Entsorgen Sie die Einheit in einer ausgewiesenen kommunalen Sammelstelle für elektronische Abfälle.
- Beim Kauf eines neuen Geräts nimmt der Händler das alte Gerät kostenlos zurück.
- Der Hersteller nimmt auch das alte Gerät kostenlos zurück.
- Verkaufen Sie die Einheit an zertifizierte Schrotthändler.
- von einem Fachbetrieb nach § 6 der Chemikalien-Klimaschutzverordnung (ChemKlimaSchutzV) durchgeführt werden.

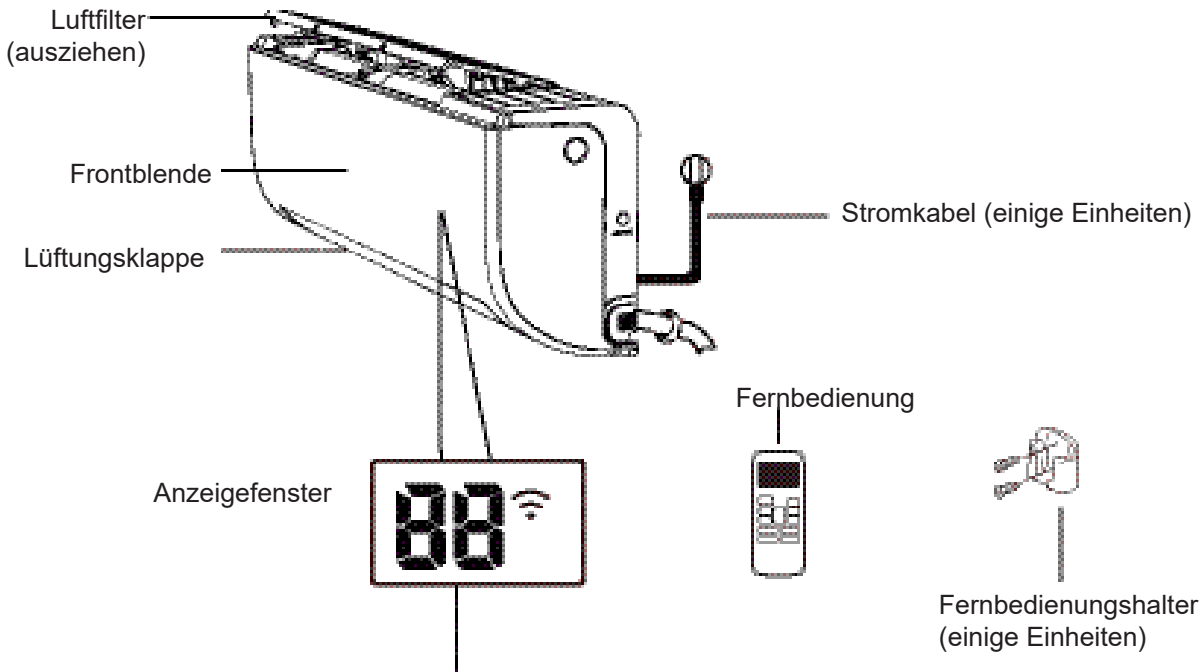
Besondere Hinweise

Die Entsorgung dieses Geräts im Wald oder in der Natur gefährdet Ihre Gesundheit und ist schlecht für die Umwelt. Gefährliche Stoffe können ins Grundwasser gelangen und in die Nahrungskette gelangen.

Gerätespezifikationen und -merkmale

Anzeige der Inneneinheit

Spezifikationen und
-funktionen der
Einheit



„88“ Zeigt Temperatur, Betriebsfunktion und Fehlercodes an:

„01“ Für 3 Sekunden, wenn:

- TIMER EIN ist eingestellt (wenn das Gerät AUS ist, „01“ bleibt, wenn TIMER EIN eingestellt ist)
- Die Funktionen FRESH, SWING, TURBO, SILENCE oder SOLAR PV ECO sind eingeschaltet

„02“ für 3 Sekunden, wenn:

- TIMER AUS ist eingestellt
- Die Funktionen FRESH, SWING, TURBO, SILENCE oder SOLAR PV ECO sind ausgeschaltet

„CF“ wenn die Kaltluftfunktion aktiviert ist

„DF“ beim Abtauen (Kühl- und Wärmegeräte).

„SC“ wenn das Gerät selbstreinigend ist

„FP“ wenn die 8 °C-Heizfunktion eingeschaltet ist

Wenn die ECO-Funktion (bei einigen Geräten) aktiviert ist, leuchtet die Anzeige „88“ nach und nach auf $E \text{ -- } E$

$--E \text{ --}$, wenn die eingestellte Temperatur $--E \dots$ in einem Sekundenintervall erreicht ist.

„W“ wenn die Wireless Control-Funktion aktiviert ist (einige Geräte)

Anzeige für Code-
Bedeutungen

HINWEIS: Verschiedene Modelle haben unterschiedliche Frontplatten und Anzeigefenster. Nicht alle der unten beschriebenen Anzeigen sind für das von Ihnen gekaufte Klimagerät verfügbar. Bitte prüfen Sie das Innenanzeigefenster des von Ihnen erworbenen Geräts.

Die Abbildungen in dieser Anleitung dienen der Erläuterung. Die tatsächliche Form Ihres Innengeräts kann leicht abweichen. Die tatsächliche Form ist maßgebend.

Betriebstemperatur

Wenn Sie Ihre Klimaanlage außerhalb der folgenden Temperaturbereiche verwendet wird, werden bestimmte Sicherheitsschutzfunktionen aktiviert und bewirken, dass die Einheit deaktiviert wird.

Inverter-Split-Typ

	COOL-Modus	WÄRMEN-Modus	TROCKEN-Modus	FÜR AUSSENGERÄTE MIT ZUSÄTZLICHER ELEKTRISCHER HEIZUNG FÜR AUSSENGERÄTE MIT ZUSÄTZLICHER ELEKTRISCHER HEIZUNG Wenn die Außentemperatur unter 0 °C (32 °F) liegt, empfehlen wir dringend, die Einheit immer angeschlossen zu lassen, um eine störungsfreie Funktion sicherzustellen.
Zimmertemperatur	17°C - 32°C (62 °F - 90 °F)	0°C - 30°C (32°F - 86°F)	10°C - 32°C (50°F - 90°F)	
Außentemperatur	0°C - 50°C (32°F - 122°F)	-15°C - 30°C (5°F - 86°F)	0°C - 50°C (32°F - 122°F)	
	-15°C - 50°C (5°F - 122°F) (Für Modelle mit Kühlsystemen mit niedriger Temperatur.)			
	0°C - 52°C (32°F - 126°F) (Für spezielle tropische Modelle)		0°C - 52°C (32°F - 126°F) (Für spezielle tropische Modelle)	

Spezifikationen und -funktionen der Einheit

Typ mit fester Geschwindigkeit

	COOL (KÜHLEN)-Modus	WÄRMEN-Modus	TROCKEN-Modus
Raum Temperatur	17°C-32°C (62°F-90°F)	0°C-30°C (32°F-86°F)	10°C-32°C (50°F-90°F)
Außen Temperatur	18°C-43°C (64°F-109°F)	-7°C-24°C (19°F-75°F)	11°C-43°C (52°F-109°F)
	-7°C-43°C (19°F-109°F) (Für Modelle mit Kühlsystemen mit niedriger Temperatur.)		18°C-43°C (64°F-109°F)
	18°C-52°C (64°F-126°F) (Für spezielle tropische Modelle)		18°C-52°C (64°F-126°F) (Für spezielle tropische Modelle)

HINWEIS: Relative Luftfeuchtigkeit im Raum weniger als 80 %. Wenn das Klimagerät über diesen Wert hinaus betrieben wird, kann sich an der Oberfläche des Klimageräts Kondensation bilden. Bitte stellen Sie die vertikale Luftstromjalousie auf ihren maximalen Winkel (senkrecht zum Boden), und stellen Sie den Ventilatormodus HOCH ein.

Um die Leistung der Einheit zu optimieren, gehen Sie wie folgt vor:

- Halten Sie Türen und Fenster geschlossen.
- Begrenzen des Energieverbrauchs durch die TIMER EIN und TIMER AUS-Funktionen.
- Blockieren Sie keine Lufteinlässe oder -auslässe
- Den Luftfilter regelmäßig kontrollieren und reinigen.

Eine Anleitung zur Verwendung der Infrarot-Fernbedienung ist nicht in diesem Literaturpaket enthalten. Nicht alle Funktionen sind für das Klimagerät verfügbar. Bitte prüfen Sie das Innendisplay und die Fernbedienung des von Ihnen erworbenen Geräts.

Andere Eigenschaften

- Automatische Wiedereinschaltung (einige Einheiten)**
Wenn die Stromversorgung zu der Einheit unterbrochen wird, wird es nach dem Wiederherstellen der Stromversorgung automatisch mit den bereits gespeicherten Einstellungen neu beginnen.
- Anti-Schimmel (einige Einheiten)**
Wenn Sie das Gerät aus den Betriebsarten COOL, AUTO (COOL) oder DRY ausschalten, arbeitet die Klimaanlage mit sehr geringer Leistung weiter, um Kondenswasser zu trocknen und Schimmelbildung zu verhindern.
- Kabellose Bedienung (einige Einheiten)**
Mit der kabellosen Steuerung können Sie Ihre Klimaanlage über Ihr Mobiltelefon und eine drahtlose Verbindung steuern.
Für den USB-Gerätezugriff müssen Austausch- und Wartungsarbeiten durch Fachpersonal ausgeführt werden.
- Lüftungklappenstellungsspeicher(einige Einheiten)**
Wenn Sie die Einheit einschalten, wird die Lüftungklappe automatisch seine frühere Stellung wieder aufnehmen.
- Kältemittelleckage-Erkennung (einige Geräte)**
Das Innengerät zeigt automatisch „EC“ oder „EL0C“ an oder blinkt (modellabhängig), wenn es einen Kältemittelleck erkennt.

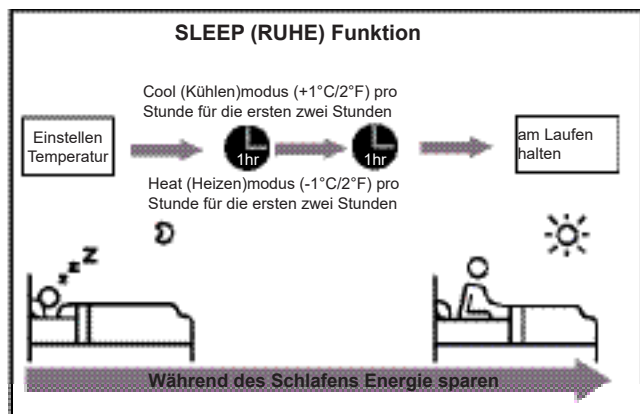
• Sleep-Betrieb

Die SLEEP-Funktion wird verwendet, um den Energieverbrauch zu senken, während Sie schlafen (und nicht die gleichen Temperatureinstellungen benötigen, um komfortabel zu bleiben). Diese Funktion kann nur über die Fernbedienung aktiviert werden. Und die Sleep-Funktion ist im FAN- oder DRY-Modus nicht verfügbar.

Drücken Sie die SLEEP-Taste, wenn Sie bereit sind, schlafen zu gehen. Im COOL-Modus erhöht das Gerät die Temperatur nach 1 Stunde um 1 °C (2 °F) und nach einer weiteren Stunde um weitere 1 °C (2 °F).

Im WÄRMEN-Modus senkt die Einheit die Temperatur nach 1 Stunde um 1 °C (2 °F) und nach einer weiteren Stunde um 1 °C (2 °F).

Die Sleep (Ruhe) Funktion wird nach 8 Stunden beendet und das System läuft mit der endgültigen Situation weiter.



• **Einstellwinkel des Luftstroms**

Einstellwinkel des Luftstroms

Verwenden Sie bei eingeschaltetem Gerät die Taste SWING/DIRECT auf der Fernbedienung, um die Richtung (vertikaler Winkel) des Luftstroms einzustellen. Einzelheiten entnehmen Sie bitte dem Handbuch zur Fernbedienung.

HINWEISE ZUR LÜFTUNGSKLAPPENSTELLUNG

Wenn Sie den Modus KÜHLEN oder TROCKNEN verwenden, stellen Sie die Lamellen nicht über einen längeren Zeitraum in einem zu senkrechten Winkel auf. Dies kann dazu führen, dass Wasser an der Lamelle kondensiert und auf den Boden oder die Einrichtung tropft.
Bei der Verwendung des COOL (KÜHLEN) oder HEAT (HEIZEN)-Modus, kann eine zu vertikale Einstellung der Lüftungsklappen die Leistung der Einheit aufgrund eingeschränkter Luftströmung reduzieren.

Horizontalen Luftstromwinkel einstellen

Der horizontale Winkel des Luftstroms muss manuell eingestellt werden. Fassen Sie die Umlenkstange an (siehe Abb. B) und stellen Sie sie manuell in Ihre bevorzugte Richtung ein.
Bei einigen Geräten kann der horizontale Winkel des Luftstroms per Fernbedienung eingestellt werden. siehe Handbuch für die Fernbedienung.

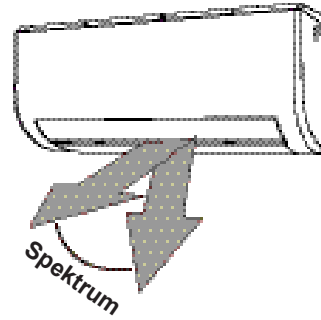
Manueller Betrieb(ohne Fernbedienung)

VORSICHT

Die Handtaste ist nur für Testzwecke und Notbetrieb vorgesehen. Bitte verwenden Sie diese Funktion nur, wenn die Fernbedienung verloren gegangen ist und es unbedingt notwendig ist. Um den regulären Betrieb wiederherzustellen, verwenden Sie die Fernbedienung, um das Gerät zu aktivieren. Das Gerät muss vor der manuellen Bedienung ausgeschaltet werden.

Wie Sie ihre Einheit manuell betreiben:

1. Suchen Sie die MANUAL CONTROL (MANUELLE BEDIENUNG)-Taste auf der rechten Seite der Einheit.
2. Drücken Sie die MANUAL CONTROL (MANUELLE BEDIENUNG)-Taste einmal um den FORCED AUTO-Modus zu aktivieren.
3. Drücken Sie die MANUAL CONTROL (MANUELLE BEDIENUNG)-Taste ein weiteres Mal um den FORCED COOLING-Modus zu aktivieren.
4. Drücken Sie die MANUAL CONTROL (MANUELLE BEDIENUNG)-Taste ein drittes Mal, um die Einheit auszuschalten.



HINWEIS: Bewegen Sie die Jalousie nicht von Hand. Dies führt dazu, dass die Jalousie nicht mehr synchronisiert wird. Schalten Sie in diesem Fall das Gerät aus, ziehen Sie den Stecker für einige Sekunden aus der Steckdose und starten Sie das Gerät dann neu. Dadurch wird die Jalousie zurückgesetzt.

Abb. A

VORSICHT

Stecken Sie Ihre Finger nicht in oder in die Nähe des Gebläses und der Saugseite des Geräts. Das Hochgeschwindigkeitsgebläse im Inneren des Geräts kann Verletzungen verursachen.

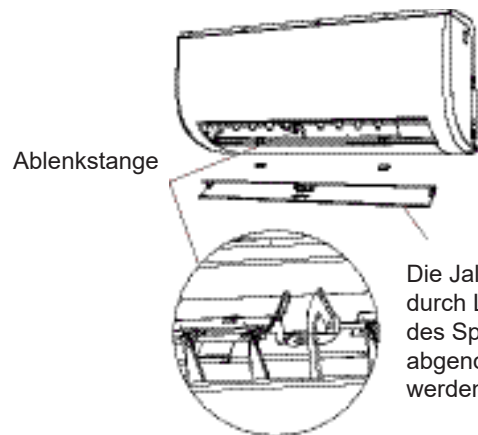


Abb. B

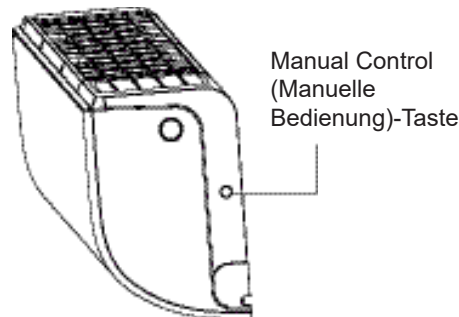


Abb. C.

Pflege und Wartung

Reinigen der Inneneinheit

VOR DER REINIGUNG ODER WARTUNG

SCHALTEN SIE IHRE KLIMAAANLAGE IMMER AUS UND TRENNEN SIE DIE STROMZUFUHR, BEVOR SIE SIE REINIGEN ODER WARTEN.

VORSICHT

Verwenden Sie zum Abwischen des Geräts nur ein weiches, trockenes Tuch. Wenn das Gerät besonders verschmutzt ist, können Sie es mit einem in warmem Wasser getränkten Tuch abwischen.

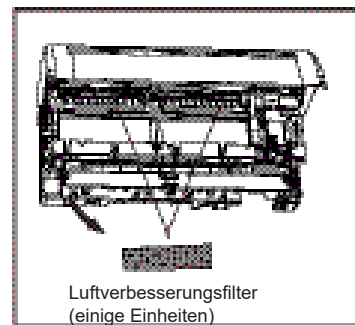
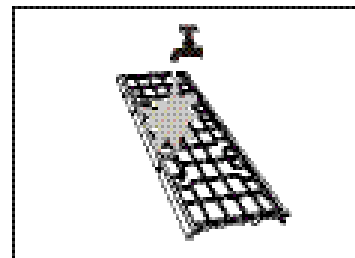
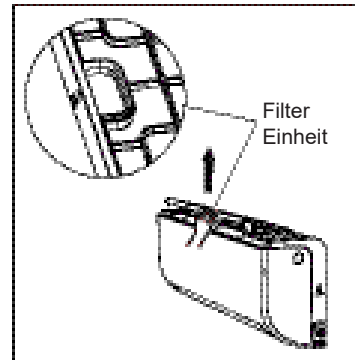
- Verwenden Sie **KEINE** Chemikalien oder chemisch behandelten Tücher, um die Einheit zu reinigen.
- Verwenden Sie zur Reinigung des Geräts **kein** Benzol, Farbverdünner, Polierpulver oder andere Lösungsmittel. Sie können dazu führen, dass die Kunststoffoberfläche Risse bekommt oder sich verformt.
- Verwenden Sie **kein** Wasser, das heißer als 40 °C (104 °F) ist, um die Frontplatte zu reinigen. Dies kann zu einer Verformung oder Verfärbung der Frontplatte führen.

Reinigen des Luftfilters

Ein verstopfter Luftfilter kann die Kühleffizienz Ihres Geräts verringern, außerdem kann der Luftstrom unregelmäßig und zu laut sein, daher reinigen Sie den Luftfilter bitte so oft wie nötig. Sobald das abnormale Geräusch des Luftstroms zu hören ist, reinigen Sie bitte sofort den Luftfilter.

1. Der Luftfilter befindet sich unter dem oberen Lufteinlassgitter.
2. Greifen Sie die Lasche am Ende des Filters, heben Sie ihn an und ziehen Sie ihn dann zu sich heran.
3. Wenn Ihr Filter einen kleinen Lufterfrischungsfiler hat, klemmen Sie ihn vom größeren Filter ab. Reinigen Sie diesen Luftauffrischungsfiler mit einem Handstaubsauger.
4. Reinigen Sie den großen Luftfilter mit warmem, seifigem Wasser. Achten Sie darauf, dass Sie ein mildes Reinigungsmittel verwenden.

5. Spülen Sie die Filter mit frischem Wasser, und schütteln Sie dann überschüssiges Wasser ab.
6. Trocknen Sie die Filter an einem kühlen, trockenen Ort, und setzen sie diese nicht direktem Sonnenlicht aus.
7. Nach dem Trocknen befestigen Sie den Luftverbesserungsfilter mit dem größeren Filter, schieben diese dann zurück in die Inneneinheit.



VORSICHT

Nicht luftverbessernde (Plasma) Filter sollten für mindestens 10 Minuten nach dem Ausschalten der Einheit nicht berührt werden.



VORSICHT

- Vor dem Filterwechsel oder Reinigen, die Einheit ausschalten und die Stromversorgung unterbrechen.
- Berühren Sie beim Entfernen des Filters keine Metallteile im Gerät. An den scharfen Metallkanten können Sie sich schneiden.
- Verwenden Sie kein Wasser, um das Innere des Innengeräts zu reinigen. Dies kann die Isolierung zerstören und einen elektrischen Schlag verursachen.
- Setzen Sie den Filter beim Trocknen nicht dem direkten Sonnenlicht aus. Dadurch kann der Filter schrumpfen.

Luftfilter Erinnerungen(Optional)

Erinnerung zur Luftfilterreinigung

Nach 240 Betriebsstunden blinkt im Anzeigefenster des Innengeräts „CL“. Dies ist eine Erinnerung, Ihren Filter zu reinigen. Nach 15 Sekunden kehrt das Gerät zu seiner vorherigen Anzeige zurück.

Um die Erinnerung zurückzusetzen, drücken Sie die **LED**-Taste auf Ihrer Fernbedienung 4 Mal, oder drücken Sie die **MANUAL CONTROL**-Taste 3 Mal. Wenn Sie die Erinnerung nicht zurücksetzen, blinkt die Anzeige „CL“ erneut, wenn Sie das Gerät neu starten.

Luftfilter Ersatz Erinnerung

Nach 2.880 Betriebsstunden blinkt im Anzeigefenster des Innengeräts „nF“. Dies ist eine Erinnerung, den Filter zu ersetzen. Nach 15 Sekunden kehrt das Gerät zu seiner vorherigen Anzeige zurück.

Um die Erinnerung zurückzusetzen, drücken Sie die **LED**-Taste auf Ihrer Fernbedienung 4 Mal, oder drücken Sie die **MANUAL CONTROL**-Taste 3 Mal. Wenn Sie die Erinnerung nicht zurücksetzen, blinkt die Anzeige „nF“ erneut, wenn Sie das Gerät neu starten.



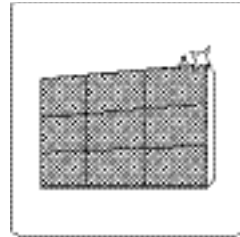
VORSICHT

- Jede Wartung und Reinigung der Außeneinheit sollte von einem autorisierten Händler oder einem zugelassenen Kundendienst durchgeführt werden.
- Reparaturen an der Einheit sollten von einem autorisierten Händler oder einem zugelassenen Kundendienst durchgeführt werden.

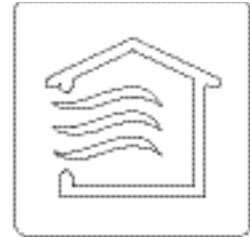
Wartung -

Lange Nichtbenutzungszeiten

Wenn Sie planen Ihre Klimaanlage für einen längeren Zeitraum nicht zu verwenden, gehen Sie wie folgt vor:



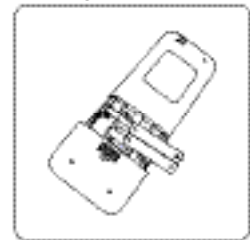
Reinigen Sie alle Filter



Schalten Sie die Ventilator-Funktion ein, bis die Einheit vollständig austrocknet ist



Schalten Sie die Einheit aus und Entfernen Sie die Batterien ziehen Sie den Netzstecker.



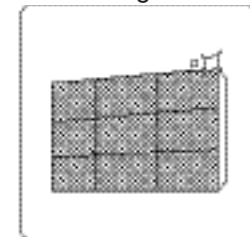
Wartung -

Inspektion vor der Saison

Nach längerer Nichtbenutzung oder vor Zeiten des häufigen Gebrauchs, gehen Sie wie folgt vor:



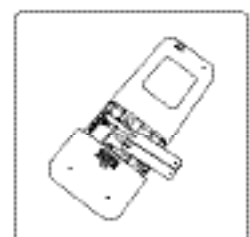
Überprüfen Sie auf beschädigte Kabel



Reinigen Sie alle Filter



Lecks ausschließen



Batterien austauschen



Achten Sie darauf, dass die Lufteinlässe und -auslässe nicht blockiert sind.

Fehlerbehebung



SICHERHEITSVORKEHRUNGEN

Wenn EINE der folgenden Bedingungen zutrifft, schalten Sie die Einheit sofort ab!

- Das Netzkabel ist beschädigt oder wird ungewöhnlich warm
- Sie riechen Brandgeruch
- Die Einheit gibt laute oder ungewöhnliche Geräusche ab
- Eine Sicherung durchbrennt oder die Sicherungsschutzschalter häufig ausschalten
- Sich Wasser oder andere Gegenstände in der Einheit befinden oder aus der Einheit fallen

VERSUCHEN SIE NICHT, DIESE SELBST ZU REPARIEREN! WENDEN SIE SICH SOFORT AN EINEN AUTORISIERTEN SERVICEANBIETER!

Häufige Fehler

Die folgenden Probleme sind keine Fehlfunktionen und müssen in den meisten Situationen nicht repariert werden.

Problem	Mögliche Ursachen
Gerät schaltet sich beim Drücken der Taste ON/OFF nicht ein	Das Gerät verfügt über eine 3-Minuten-Schutzfunktion, die eine Überlastung des Geräts verhindert. Das Gerät kann innerhalb von drei Minuten nach dem Ausschalten nicht neu gestartet werden.
Die Einheit wechselt vom COOL/HEAT (KÜHLEN/HEIZEN)-Modus zum FAN (LÜFTER)-Modus	Das Gerät kann seine Einstellung ändern, um eine Frostbildung am Gerät zu verhindern. Sobald die Temperatur steigt, arbeitet das Gerät wieder im zuvor gewählten Modus.
	Die eingestellte Temperatur ist erreicht, woraufhin das Gerät den Kompressor ausschaltet. Das Gerät arbeitet weiter, wenn die Temperatur wieder schwankt.
Die Inneneinheit lässt weißen Nebel austreten	In feuchten Regionen kann ein großer Temperaturunterschied zwischen der Raumluft und der klimatisierten Luft weißen Nebel erzeugen.
Sowohl die Innen- als auch die Außeneinheit lassen weißen Nebel austreten	Wenn die Einheit nach dem Auftauen im WÄRMEN-Modus neu startet, kann durch die beim Abtauen entstehende Feuchtigkeit weißer Nebel austreten.
Die Inneneinheit macht Geräusche	Ein Rauschen kann vorkommen, wenn die Lüftungsklappe sich zurücksetzt.
	Nach dem Betrieb des Geräts im WÄRMEN-Modus kann ein Quietschen auftreten, da sich die Kunststoffteile des Geräts ausdehnen und zusammenziehen.
Sowohl die Inneneinheit als auch die Außeneinheit machen Geräusche	Leises Zischgeräusch während des Betriebs: Dies ist normal und wird durch Kältemittelgas verursacht, das durch Innen- und Außengeräte fließt.
	Leises zischendes Geräusch, wenn das System startet, gerade aufgehört hat zu laufen oder abgetaut wird: Dieses Geräusch ist normal und wird durch das Anhalten oder die Richtungsänderung des Kältemittelgases verursacht.
	Quietschgeräusch: Die normale Ausdehnung und Kontraktion von Kunststoff- und Metallteilen, die durch Temperaturänderungen während des Betriebs verursacht wird, kann Quietschgeräusche verursachen.

Problem	Mögliche Ursachen
Die Außeneinheit macht Geräusche	Die Einheit gibt je nach aktuellem Betriebsmodus unterschiedliche Töne aus.
Staub wird entweder von der Innen- oder Außeneinheit abgegeben	Das Gerät kann bei längerer Nichtbenutzung Staub ansammeln, der beim Einschalten des Geräts freigesetzt wird. Dies kann durch Abdecken des Geräts bei längerer Nichtbenutzung gemildert werden.
Die Einheit lässt einen schlechten Geruch austreten	Die Einheit kann Gerüche aus der Umgebung (z. B. Möbel, Kochen, Zigaretten usw.) absorbieren, die während des Betriebs abgegeben werden.
	Die Filter der Einheit sind schimmelig geworden und sollten gereinigt werden.
Der Lüfter der Außeneinheit funktioniert nicht	Während des Betriebs wird die Lüftergeschwindigkeit gesteuert, um den Produktbetrieb zu optimieren.
Der Betrieb ist sprunghaft, unberechenbar, oder die Einheit reagiert nicht	Störungen von Mobilfunkmasten und Fernverstärkern können zu Fehlfunktionen der Einheit führen. In diesem Fall versuchen Sie folgendes: <ul style="list-style-type: none"> • Die Netzversorgung trennen und dann wieder einschalten. • Drücken Sie die ON/OFF (EIN/AUS)-Taste auf der Fernbedienung, um den Betrieb zurückzusetzen.
HINWEIS: Wenn das Problem weiterhin besteht, wenden Sie sich an einen Händler vor Ort oder an das nächstgelegene Kundendienstzentrum. Geben Sie dort eine detaillierte Beschreibung der Fehlfunktion des Geräts sowie Ihre Modellnummer an.	

Fehlerbehebung

Wenn Probleme auftreten, überprüfen Sie bitte die folgenden Punkte, bevor Sie sich an ein Reparaturunternehmen wenden.

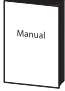


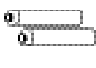







Problem	Mögliche Ursachen	Lösung
Schlechte Kühlleistung	Die Temperatureinstellung ist möglicherweise höher als die Umgebungstemperatur	Senken Sie die Temperatureinstellung
	Der Wärmetauscher der Innen- oder Außeneinheit ist verschmutzt	Reinigen Sie den betroffenen Wärmetauscher
	Der Luftfilter ist verschmutzt	Entfernen Sie den Filter und reinigen Sie ihn gemäß den Anweisungen
	Der Lufteinlass oder -auslass einer der Einheiten ist blockiert	Schalten Sie die Einheit aus, entfernen Sie das Hindernis und schalten Sie es wieder ein
	Türen und Fenster sind offen	Stellen Sie sicher, dass alle Türen und Fenster geschlossen sind, während Sie die Einheit betreiben
	Übermäßige Wärme wird durch Sonnenlicht erzeugt	Schließen Sie Fenster und Vorhänge bei starker Hitze oder strahlendem Sonnenschein
	Zu viele Wärmequellen im Raum (Menschen, Computer, Elektronik, usw.)	Reduzieren der Menge der Heizquellen
	Niedriger Kühlmittelstand aufgrund von Leckagen oder langfristiger Verwendung	Auf Lecks prüfen, ggf. wieder abdichten und Kühlmittel auffüllen
	RUHE-Funktion ist aktiviert (optionale Funktion)	Die Funktion SILENCE kann die Leistung des Geräts durch Verringerung der Betriebsfrequenz verringern. Schalten Sie die SILENCE-Funktion aus.

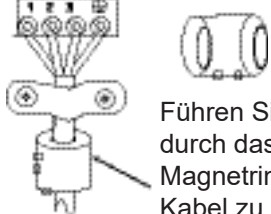
Problem	Mögliche Ursachen	Lösung
Die Einheit funktioniert nicht	Stromausfall	Warten Sie, bis die Stromversorgung wiederhergestellt ist
	Das Gerät ist ausgeschaltet	Schalten Sie den Strom an
	Die Sicherung ist durchgebrannt	Ersetzen Sie die Sicherung
	Batterien der Fernbedienung sind leer	Batterien austauschen
	Der 3-Minuten-Schutz der Einheit wurde aktiviert	Warten Sie nach dem Neustart des Geräts drei Minuten
	Der Timer ist aktiviert	Schalten Sie den Timer aus
Die Einheit startet und stoppt häufig	Das System enthält zu viel oder zu wenig Kältemittel	Prüfen Sie auf Lecks und füllen Sie das System mit Kältemittel auf
	Nicht komprimierbares Gas oder Feuchtigkeit ist in das System eingedrungen.	Das System entlüften und mit Kühlmittel auffüllen
	Der Kompressor ist defekt	Ersetzen Sie den Kompressor
	Die Spannung ist zu hoch oder zu niedrig	Installieren Sie einen Spannungsregler, um die Spannung zu regulieren
Schlechte Wärmeleistung	Die Außentemperatur ist extrem niedrig	Verwendung der zusätzlichen Wärmeeinrichtung
	Kalte Luft dringt durch Türen und Fenster ein	Stellen Sie sicher, dass alle Türen und Fenster während des Betriebs geschlossen sind
	Niedriger Kühlmittelstand aufgrund von Leckagen oder langfristiger Verwendung	Auf Lecks prüfen, ggf. wieder abdichten und Kühlmittel auffüllen
Anzeigelampen blinken weiterhin	Das Gerät kann den Betrieb einstellen oder sicher weiterlaufen. Wenn die Anzeigelampen weiterhin blinken oder Fehlercodes angezeigt werden, warten Sie etwa 10 Minuten lang. Das Problem kann sich selbst beheben. Wenn nicht, unterbrechen Sie die Stromzufuhr und schließen Sie sie dann wieder an. Schalten Sie das Gerät ein. Wenn das Problem weiterhin besteht, trennen Sie das Gerät von der Stromversorgung und wenden Sie sich an den nächstgelegenen Kundendienst.	
Der Fehlercode wird angezeigt und beginnt mit den folgenden Buchstaben in der Fensteranzeige des Innengeräts:		
	<ul style="list-style-type: none"> • E (x), P (x), F (x) • EH (xx), EL (xx), EC (xx) • PH (xx), PL (xx), PC (xx) 	

HINWEIS: Wenn das Problem nach Durchführung der oben genannten Prüfungen und Diagnosen weiterhin besteht, schalten Sie das Gerät sofort aus und wenden Sie sich an ein autorisiertes Servicezentrum.

Zubehör

Das Klimasystem wird mit folgendem Zubehör geliefert. Verwenden Sie alle Installationsteile und Zubehörteile, um die Klimaanlage zu installieren. Eine unsachgemäße Installation kann zu Wasserlecks, Stromschlägen und Bränden führen oder einen Ausfall der Anlage verursachen. Die Artikel sind nicht im Lieferumfang der Klimaanlage enthalten und müssen separat erworben werden.

Name des Zubehörs	Menge (PC)	Form	Name des Zubehörs	Menge (PC)	Form
Handbuch	2-3		Fernbedienung	1	
Ablaufverbindung (für Kühl- & Heizmodelle)	1		Batterie*	2	
Siegel (für Kühl- & Heizmodelle)	1		Fernbedienungshalter (optional)	1	
Montageplatte	1		Befestigungsschraube für Fernbedienungshalter (optional)	2	
Anker	5~8 (je nach Modell)		Kleiner Filter (Muss vom autorisierten Techniker während der Installation der Maschine auf der Rückseite des Hauptluftfilters installiert werden.)	1~2 (je nach Modell)	
Befestigungsschraube der Montageplatte	5~8 (je nach Modell)				

Name	Form	Menge (PC)
Verbindung der Rohrleitungen	flüssige Seite	ø6,35 (1/4 Zoll)
		ø9,52 (3/8in)
	Gasseite	ø9,52 (3/8in)
		ø12,7 (1/2in)
		ø16 (5/8in)
		ø19 (3/4in)
Magnetring und Riemen (falls mitgeliefert, siehe Schaltplan zur Installation am Verbindungskabel.)		Variiert je nach Modell

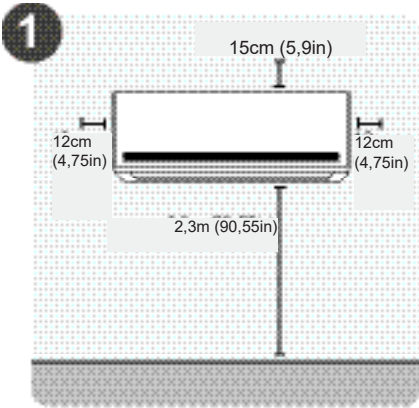
Teile müssen Sie separat erwerben. Erkundigen Sie sich beim Händler nach der richtigen Rohrgröße des von Ihnen erworbenen Geräts.

Für die Installation benötigte Werkzeuge:

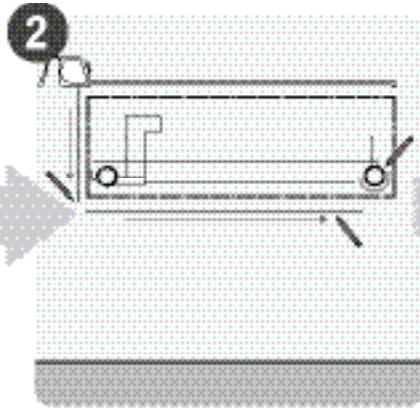
- Pegelmesser
- Schraubendreher
- Elektrische Bohrmaschine, Lochkernbohrer
- Bördelwerkzeugsatz
- Spezifizierte Drehmoment-Schlüssel: 1,8 kgf.m, 4,2 kgf.m, 5,5 kgf.m, 6,6 kgf.m (unterschiedlich je nach Modell-Nr.)
- Schraubenschlüssel (halbe Verschraubung)
- Sechskant-Schlüssel (4 mm)

- Gas-Leck-Detektor
- Vakuumpumpe
- Meßverteilterventils
- Benutzerhandbücher
- Thermometer
- Rohrabschneider
- Maßband
- Schere
- Antistatische Handschuhe oder Baumwollhandschuhe
- Schutzbrille

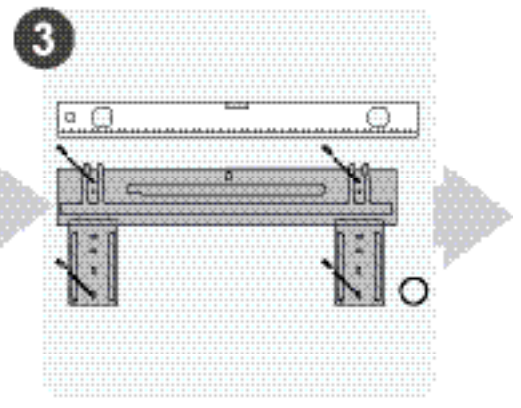
Installationszusammenfassung - Innengerät



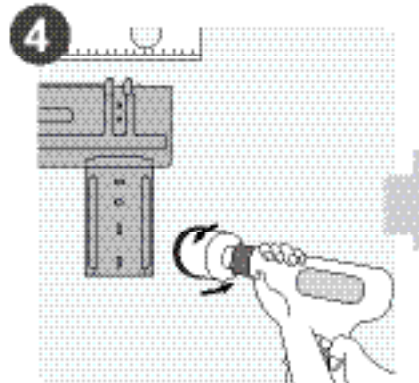
1 Installationsort auswählen



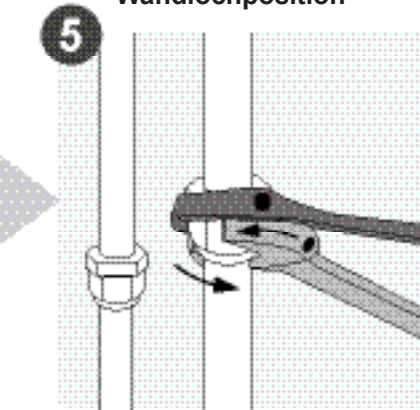
2 Bestimmen Sie die Wandlochposition



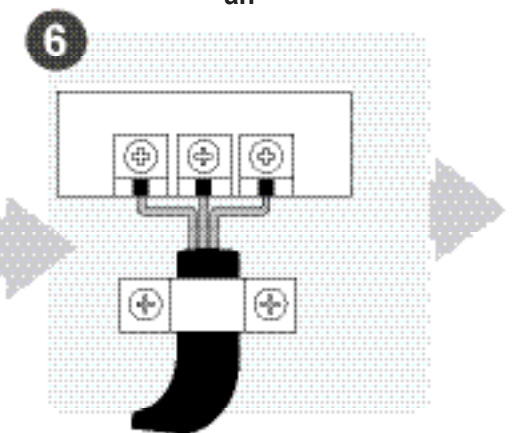
3 Bringen Sie die Montageplatte an



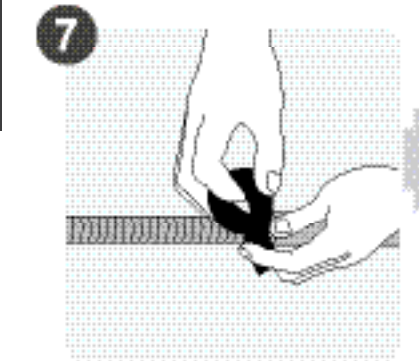
4 Wandloch bohren



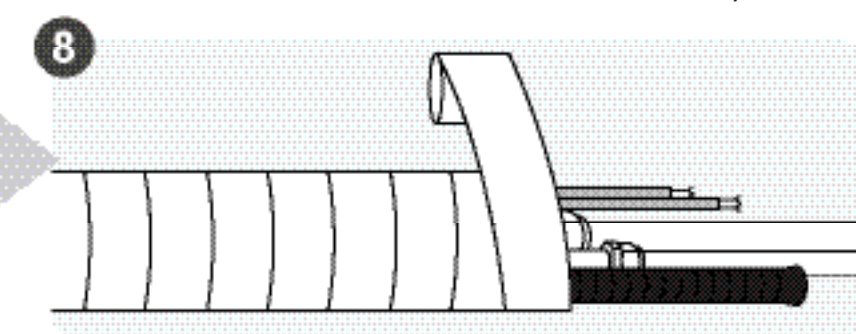
5 Rohre anschließen



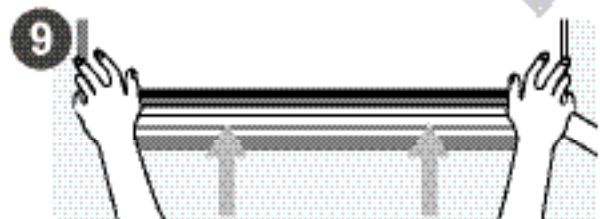
6 Verbindungskabel
(gilt nicht für einige Standorte in den USA)



7 Ablaufschlauch vorbereiten



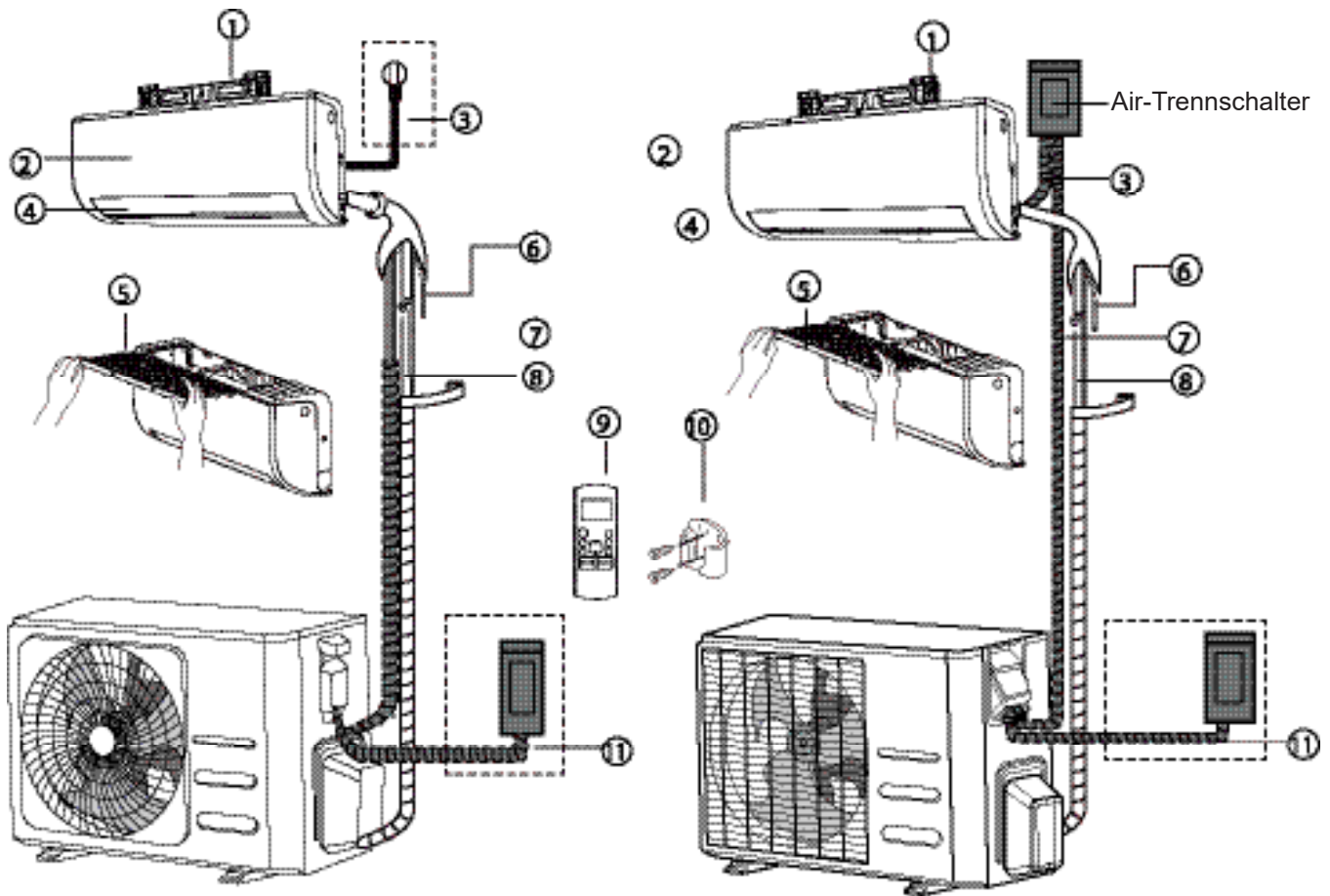
8 Rohrleitungen und Kabel umwickeln
(gilt nicht für einige Standorte in den USA)



9 Inneneinheit installieren

Geräteteile

HINWEIS: Die Installation muss in Übereinstimmung mit den Anforderungen der lokalen und nationalen Normen durchgeführt werden. Die Installation kann in verschiedenen Gebieten leicht unterschiedlich sein.



(1)

(2)

- ① Wandmontageplatte
- ② Frontblende
- ③ Netzkabel (einige Geräte)
- ④ Lüftungsklappe

- ⑤ Luftfilter (herausziehen)
- ⑥ Abflussrohr
- ⑦ Signalkabel
- ⑧ Kältemittelleitung

- ⑨ Fernbedienung
- ⑩ Fernbedienungshalterung (einige Geräte)
- ⑪ Stromkabel Außeneinheit (einige Einheiten)

HINWEIS ZU ILLUSTRATIONEN

Die Abbildungen in dieser Anleitung dienen der Erläuterung. Die tatsächliche Form Ihres Innengeräts kann leicht abweichen. Die tatsächliche Form ist maßgebend.

Installation der Inneneinheit

Montageanleitung - Inneneinheit

VOR DER INSTALLATION

Vergewissern Sie sich vor der Installation der Inneneinheit anhand des Etiketts auf der Produktverpackung, dass die Modellnummer der Inneneinheit mit der Modellnummer der Außeneinheit übereinstimmt.

Schritt 1: Installationsort wählen

Bevor Sie das Innengerät installieren, müssen Sie einen geeigneten Standort wählen. Im Folgenden finden Sie Normen, die Ihnen helfen, einen geeigneten Standort für das Gerät zu wählen.

Die richtigen Installationsorte erfüllen die folgenden Normen:

- Gute Luftzirkulation
- Bequemer Ablauf
- Lärm von der Einheit wird andere Menschen nicht stören
- Fest und fest - der Standort vibriert nicht
- Stark genug, um das Gewicht des Geräts zu tragen
- Ein Standort von mindestens einem Meter von allen anderen elektrischen Geräten (z. B. TV, Radio, Computer)

Installieren Sie das Gerät **NICHT** an den folgenden Orten:

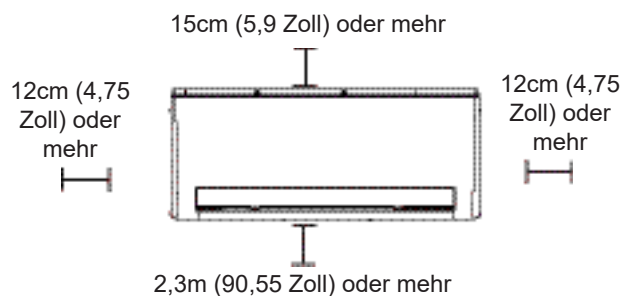
- In der Nähe von Wärmequellen, Dampf oder brennbaren Gasen
- In der Nähe von entflammaren Gegenständen wie Vorhängen oder Kleidung
- In der Nähe von Hindernissen, die die Luftzirkulation blockieren könnten
- In der Nähe der Tür
- An einem Ort, der direktem Sonnenlicht ausgesetzt ist

HINWEIS ZUM LOCH IN DER WAND:

Wenn keine feste Kältemittelleitungen vorhanden sind:

Beachten Sie bei der Wahl des Aufstellungsortes, dass Sie ausreichend Platz für ein Wandloch (siehe Schritt Wandloch für Anschlussleitungen bohren) für das Signalkabel und die Kältemittelleitungen, die Innen- und Außengerät verbinden, lassen sollten. Die Standardposition für alle Rohrleitungen ist die rechte Seite des Innengeräts (mit Blick auf das Gerät). Das Gerät kann jedoch sowohl auf der linken als auch auf der rechten Seite Verrohrungen aufnehmen.

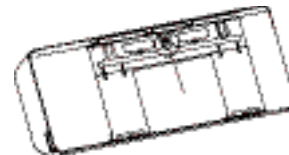
Beachten Sie das folgende Diagramm, um den richtigen Abstand zu Wänden und Decke zu gewährleisten:



Schritt 2: Montageplatte an der Wand befestigen

Die Montageplatte ist die Vorrichtung, auf der Sie das Innengerät montieren werden.

- Entfernen Sie die Schraube, die die Montageplatte mit der Rückseite der Inneneinheit verbindet.



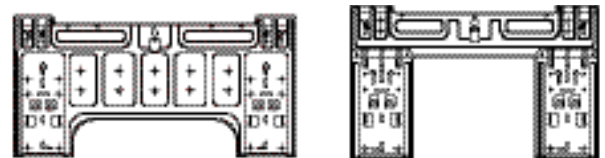
- Befestigen Sie die Montageplatte mit den mitgelieferten Schrauben an der Wand. Stellen Sie sicher, dass die Montageplatte flach an der Wand anliegt.

HINWEIS für Beton oder Ziegelwände:

Wenn die Wand aus Ziegeln, Beton oder einem ähnlichen Material besteht, bohren Sie Löcher mit einem Durchmesser von 5 mm (0,2 Zoll) in die Wand und setzen Sie die mitgelieferten Hülsenanker ein. Befestigen Sie dann die Montageplatte an der Wand, indem Sie die Schrauben direkt in die Hülsenanker anziehen.

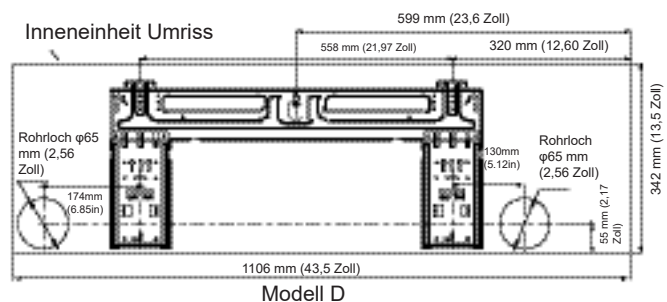
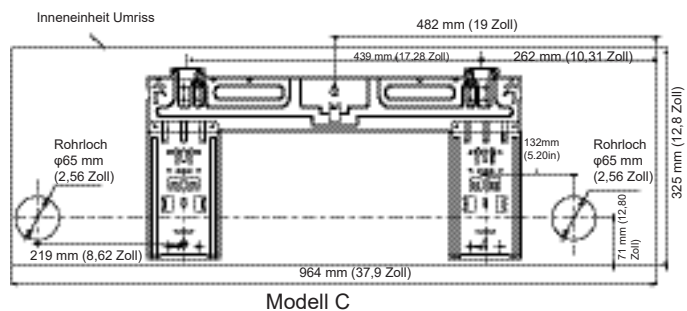
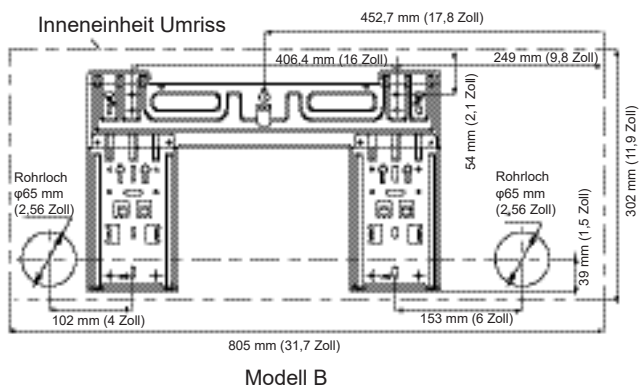
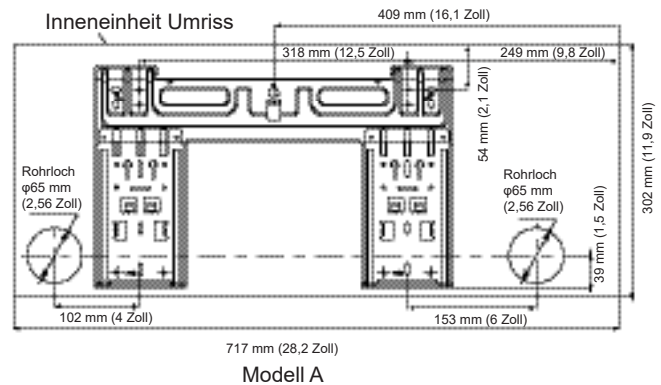
Schritt 3: Wandloch für die Anschlussverrohrung bohren

1. Bestimmen Sie die Position des Wandlochs anhand der Position der Montageplatte. Siehe Abmessungen der Montageplatte.
2. Bohren Sie mit einer 65 mm (2,5 Zoll) oder 90 mm (3,54 Zoll) (je nach Modell) Kernbohrmaschine ein Loch in die Wand. Achten Sie darauf, dass das Loch in einem leichten Winkel nach unten gebohrt wird, so dass die Außenseite des Lochs etwa 5 mm bis 7 mm (0,2-0,275 Zoll) tiefer als die Innenseite liegt. Dadurch wird ein ordnungsgemäßer Wasserabfluss gewährleistet.
3. Legen Sie die Schutzwandmanschette in das Loch. Dies schützt die Ränder des Lochs und hilft beim Abdichten, wenn Sie den Installationsvorgang beenden.



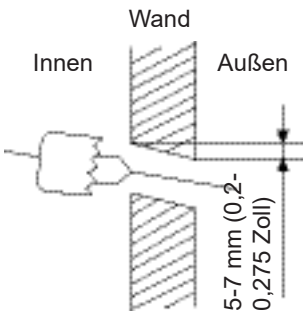
Typ A

Typ B



VORSICHT

Achten Sie beim Bohren des Wandlochs darauf, Kabel, Rohrleitungen und andere empfindliche Komponenten zu vermeiden.



ABMESSUNGEN DER BEFESTIGUNGSPLATTE

Verschiedene Modelle haben unterschiedliche Montageplatten. Für die unterschiedlichen Anpassungsanforderungen kann die Form der Montageplatte leicht unterschiedlich sein. Die Installationsabmessungen sind jedoch für die gleiche Größe des Innengeräts gleich. Siehe z.B. Typ A und Typ B:

Die korrekte Ausrichtung der Montageplatte



HINWEIS: Wenn das gasseitige Anschlussrohr einen Durchmesser von $\phi 16$ mm (5/8 Zoll) oder mehr hat, sollte die Wandöffnung 90 mm (3,54 Zoll) betragen.

Installation der Inneneinheit

Schritt 4: Kältemittelverrohrung vorbereiten

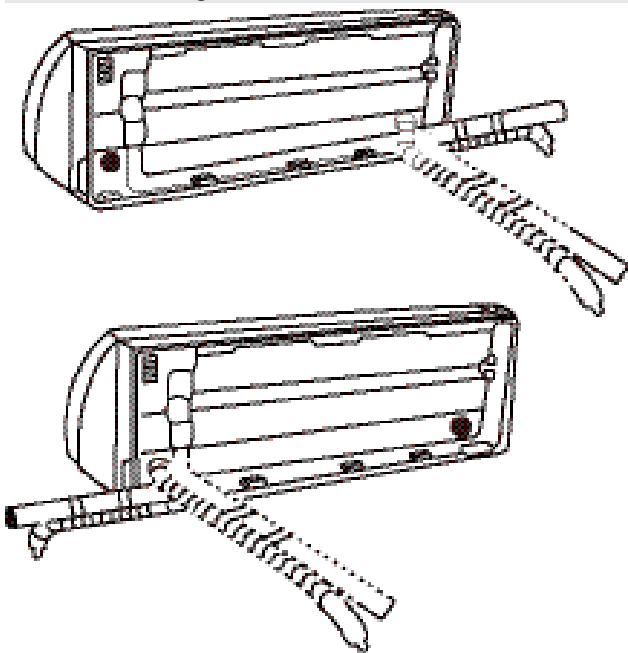
Die Kältemittelleitungen befinden sich in einer Isolierhülse, die auf der Rückseite des Geräts angebracht ist. Sie müssen die Rohrleitungen vorbereiten, bevor Sie sie durch das Loch in der Wand führen. Detaillierte Anweisungen zu den Anforderungen an die Rohrbündelung und das Aufweitungsdruckmoment, die Technik usw. finden Sie im Abschnitt „Anschluss der Kältemittelleitungen“ in diesem Handbuch.

HINWEIS ÜBER ROHRWINKEL

Kältemittelleitungen können die Inneneinheit aus zwei verschiedenen Richtungen verlassen:

- Linke Seite
- Links hinten
- Rechte Seite
- Rechts hinten

Siehe Abbildungen unten für Details.



VORSICHT

Seien Sie äußerst vorsichtig, um die Rohrleitungen nicht zu verbeulen oder zu beschädigen, während Sie sie vom Gerät wegbiegen. Jede Delle in den Rohrleitungen beeinträchtigt die Leistung des Geräts.

Wenn die Kältemittelleitungen bereits in die Wand eingelassen sind, gehen Sie wie folgt vor:

Schritt 1: Haken Sie das Innengerät auf der Montageplatte ein:

1. Beachten Sie, dass die Haken auf der Montageplatte kleiner sind als die Löcher auf der Rückseite des Geräts.

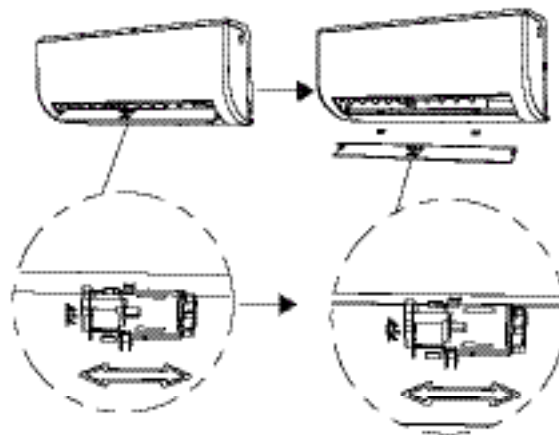
Wenn Sie nicht genug Platz haben, um die eingebetteten Rohre an das Innengerät anzuschließen, kann die Einheit je nach Modell um ca. 30-50 mm (1,25-1,95 Zoll) nach links oder rechts verschoben werden



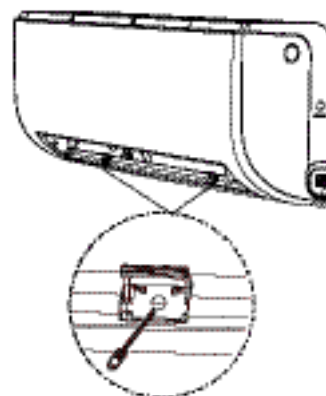
Verschiebung nach links oder rechts

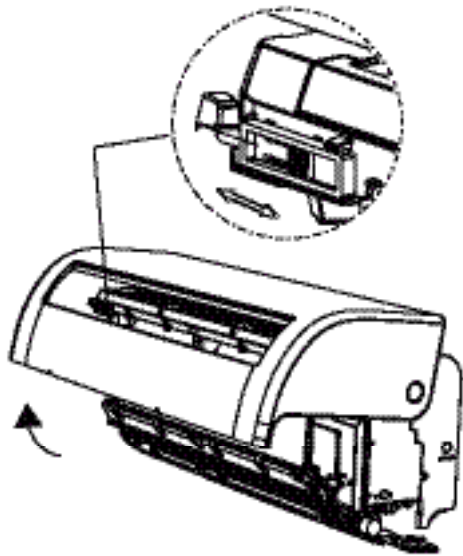
Schritt 2: Bereiten Sie die Kältemittelverrohrung vor:

1. Demontieren Sie die Jalousie:

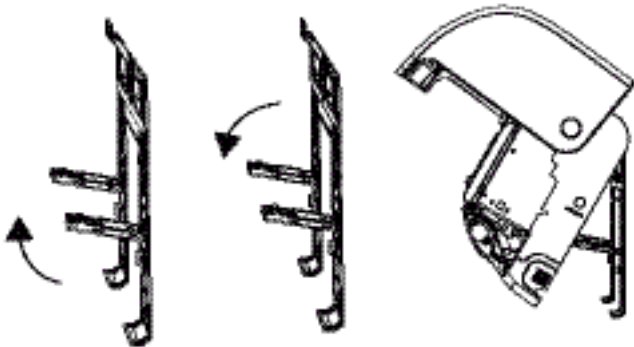


2. Öffnen und fixieren Sie die Position des Bedienfelds. Lösen Sie zunächst die beiden in der Abbildung unten gezeigten Schrauben, öffnen Sie dann das Bedienfeld und fixieren Sie die Position des Bedienfelds mit dem Riegel.





3. Verwenden Sie die Halterung in der Montageplatte, um das Gerät abzustützen, so dass Sie genügend Platz haben, um die Kältemittelleitungen, das Signalkabel und den Ablaufschlauch anzuschließen.



Schritt 3. Schließen Sie den Ablassschlauch und die Kältemittelleitungen an (Anweisungen finden Sie im Abschnitt „Anschluss der Kältemittelleitungen“ in diesem Handbuch).

Schritt 4. Halten Sie die Rohranschlussstelle frei, um die Dichtheitsprüfung durchzuführen (siehe Abschnitt Elektrische Prüfungen und Dichtheitsprüfungen in dieser Anleitung).

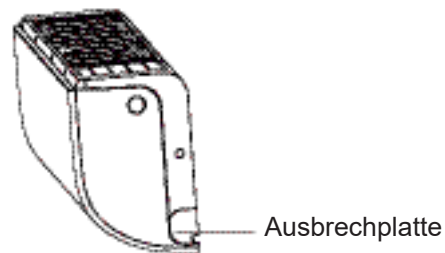
Schritt 5. Umwickeln Sie die Anschlussstelle nach der Dichtheitsprüfung mit Isolierband.

Schritt 6. Entfernen Sie die Halterung oder den Keil, der mit Isolierband abgestützt ist.

Schritt 7. Drücken Sie die untere Hälfte des Geräts mit gleichmäßigem Druck nach unten. Drücken Sie weiter nach unten, bis das Gerät an den Haken an der Unterseite der Montageplatte einrastet.

Wenn keine Kältemittelleitungen in die Wand eingelassen sind, gehen Sie wie folgt vor:

1. Wählen Sie anhand der Position des Wandlochs in Bezug auf die Montageplatte die Seite aus, auf der die Rohrleitungen aus dem Gerät austreten werden.
2. Befindet sich das Wandloch hinter dem Gerät, lassen Sie die Ausbrechplatte an ihrem Platz. Wenn sich die Wandöffnung seitlich des Innengeräts befindet, entfernen Sie die Kunststoff-Ausbrechplatte von dieser Seite des Geräts. (Siehe Abbildung unten). Dadurch wird ein Schlitz geschaffen, durch den die Rohrleitungen aus dem Gerät austreten können. Verwenden Sie eine Spitzzange, wenn die Kunststoffplatte zu schwer von Hand zu entfernen ist.

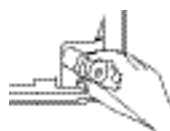


3. Verwenden Sie eine Schere, um die Länge der Isolierhülse so abzuschneiden, dass ca. 40 mm (1,57 Zoll) der Kältemittelleitungen freigelegt werden. Dies dient zwei Zwecken:
 - Zur Erleichterung des Anschlussprozesses für Kältemittelleitungen.
 - Zur Erleichterung der Gasdichtheitsprüfung und zur Überprüfung auf Beulen
4. Verbinden Sie die Kältemittelleitungen des Innengeräts mit den Verbindungsleitungen, die das Innen- und Außengerät miteinander verbinden werden. Detaillierte Anweisungen finden Sie im Abschnitt „Anschluss der Kältemittelleitungen“ in dieser Anleitung.
5. Bestimmen Sie anhand der Position des Wandlochs relativ zur Montageplatte den notwendigen Winkel Ihrer Verrohrung.
6. Greifen Sie die Kältemittelleitung am Fuß des Bogens.
7. Biegen Sie die Rohrleitung langsam und mit gleichmäßigem Druck in Richtung der Bohrung. Verbeulen oder beschädigen Sie die Rohrleitung dabei **nicht**.

Schritt 5: Ablassschlauch anschließen

Standardmäßig ist der Ablaufschlauch an der linken Seite des Geräts angebracht (wenn Sie auf die Rückseite des Geräts blicken). Er kann jedoch auch an der rechten Seite angebracht werden. Um eine ordnungsgemäße Entwässerung zu gewährleisten, befestigen Sie den Ablassschlauch an der gleichen Seite, an der die Kältemittelleitungen aus dem Gerät austreten.

- Wickeln Sie den Verbindungspunkt fest mit Teflon Band, um eine gute Abdichtung zu gewährleisten und um Lecks zu verhindern.
- Entfernen Sie den Luftfilter und gießen Sie eine kleine Menge Wasser in die Ablaufwanne, um sicherzustellen, dass das Wasser gleichmäßig aus dem Gerät fließt.



Um unerwünschte Leckagen zu vermeiden, müssen Sie die nicht benutzte Ablassöffnung mit dem mitgelieferten Gummistopfen verschließen.

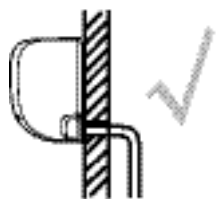
HINWEIS ZUR PLATZIERUNG DES ABLAUFSCHLAUCHES

Achten Sie darauf, den Ablaufschlauch gemäß der folgenden Abbildung zu installieren.

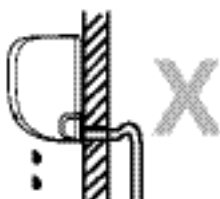
⊘ **Knicken Sie den Ablaufschlauch NICHT ab.**

⊘ **Vermeiden** Sie bitte die Wasseransammlung.

⊘ **Legen Sie das Ende des Ablaufschlauchs bitte NICHT** in Wasser oder einen Behälter, in dem sich Wasser ansammelt.



KORREKT



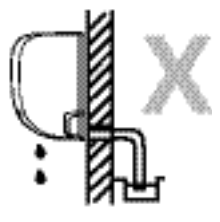
FALSCH

Stellen Sie sicher, dass keine Knicke im Ablaufschlauch oder Dellen in dem Ablaufschlauch erzeugen Wasserfallen. sind, um die ordnungsgemäße Entwässerung zu gewährleisten.



FALSCH

Knicke im Ablaufschlauch erzeugen Wasserfallen.



Legen Sie das Ende des Ablaufschlauchs nicht in Wasser oder in Behälter, die Wasser sammeln. Dies verhindert eine ordnungsgemäße Entwässerung.

DAS UNBENUTZTE ABFLUSSLOCH MUSS VERSCHLOSSEN WERDEN

BEVOR SIE DIE ELEKTRISCHEN ARBEITEN AUSFÜHREN, LESEN SIE BITTE DIE FOLGENDEN VORSCHRIFTEN

1. Alle Leitungen müssen gemäß den örtlichen und nationalen elektrischen Bestimmungen und Vorschriften und von einem Elektriker installiert werden.
2. Alle elektrischen Anschlüsse müssen gemäß dem elektrischen Anschlussplan an den Schalttafeln der Innen- und Außeneinheiten erfolgen.
3. Wenn es ein ernsthaftes Sicherheitsproblem mit der Stromversorgung gibt, stellen Sie die Arbeit sofort ein. Erklären Sie dem Kunden Ihre Beweggründe und weigern Sie sich, das Gerät zu installieren, bis das Sicherheitsproblem ordnungsgemäß behoben ist.
4. Die Netzspannung sollte innerhalb von 90-110 % der Nennspannung liegen. Eine unzureichende Stromversorgung kann zu Fehlfunktionen, elektrischem Schlag oder Brand führen.
5. Wenn Sie den Strom an eine Festverdrahtung anschließen, sollten Sie einen Überspannungsschutz und einen Hauptnetzschalter installieren.
6. Wenn die Stromversorgung an eine feste Verdrahtung angeschlossen wird, muss ein Schalter oder Leistungsschalter in die feste Verdrahtung integriert werden, der alle Pole trennt und eine Kontakttrennung von mindestens 3 mm (1/8 Zoll) aufweist. Der qualifizierte Techniker muss einen zugelassenen Schutzschalter oder Schalter verwenden.
7. Schließen Sie das Gerät nur an einen einzelnen Stromkreis ausgang an. Schließen Sie kein anderes Gerät an diese Steckdose an.
8. Achten Sie darauf, die Klimaanlage vorschriftsmäßig zu erden.
9. Jeder Draht muss fest angeschlossen sein. Eine lockere Verdrahtung kann zu einer Überhitzung des Terminals führen, was eine Fehlfunktion des Produkts und einen möglichen Brand zur Folge hat.
10. Lassen Sie die Drähte nicht an Kühlmittelschläuchen, dem Kompressor oder anderen beweglichen Teilen innerhalb der Einheit anliegen.
11. Wenn die Einheit eine elektrische Zusatzheizung hat, muss diese mindestens 1 Meter (40 Zoll) von brennbaren Materialien entfernt installiert werden.
12. Um einen elektrischen Schlag zu vermeiden, berühren Sie niemals die elektrischen Komponenten, kurz nachdem die Stromversorgung ausgeschaltet wurde. Warten Sie nach dem Ausschalten der Stromversorgung immer mindestens 10 Minuten, bevor Sie die elektrischen Bauteile berühren.



WARNUNG

SCHALTEN SIE VOR DER DURCHFÜHRUNG VON ELEKTRO- ODER VERDRAHTUNGSARBEITEN DIE HAUPTSTROMVERSORGUNG DES SYSTEMS AUS.

Schritt 6: Signalkabel anschließen

Das Signalkabel ermöglicht die Kommunikation zwischen den Innen- und Außengeräten. Sie müssen zunächst die richtige Kabelgröße wählen, bevor Sie es für den Anschluss vorbereiten.

Kabeltypen

- Netzkabel für den Innenbereich (falls zutreffend): H05VV-F oder H05V2V2-F
- Außenstromkabel: H07RN-F oder H05RN-F
- Signalkabel: H07RN-F

HINWEIS: In Nordamerika wählen Sie den Kabeltyp entsprechend den örtlichen elektrischen Vorschriften.

Mindestquerschnittsfläche von Strom- und Signalkabeln (als Referenz) (gilt nicht für Nordamerika)

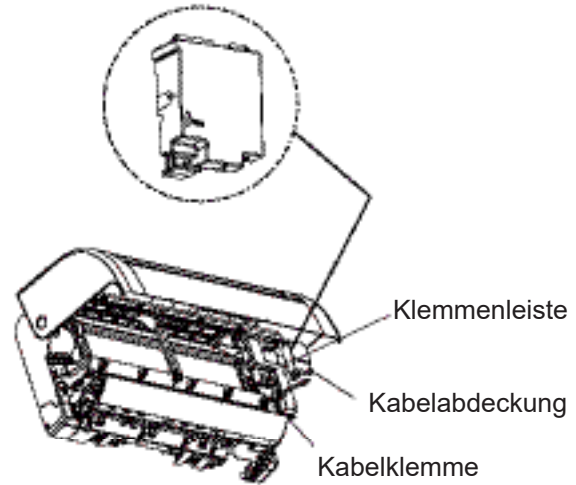
Nennstrom des Geräts (A)	Nennquerschnittsfläche (mm ²)
> 3 and ≤ 6	0,75
> 6 and ≤ 10	1
> 10 and ≤ 16	1,5
> 16 and ≤ 25	2,5
> 25 and ≤ 32	4
> 32 and ≤ 40	6

WÄHLEN SIE DIE RICHTIGE GRÖSSE DES KABELS AUS

Die Größe des benötigten Stromversorgungskabels, Signalkabels, der Sicherung und des Schalters wird durch den maximalen Strom des Geräts bestimmt. Der maximale Strom ist auf dem Typenschild an der Seitenwand des Geräts angegeben. Beziehen Sie sich auf dieses Typenschild, um das richtige Kabel, die richtige Sicherung oder den richtigen Schalter auszuwählen.

HINWEIS: In Nordamerika wählen Sie bitte die richtige Kabelgröße entsprechend der auf dem Typenschild des Geräts angegebenen Mindeststrombelastbarkeit des Stromkreises.

1. Öffnen Sie die Frontplatte des Innengeräts, indem Sie die Schrauben gemäß der Abbildung unten lösen.
2. Öffnen Sie den Kabelkastendeckel, um das Kabel anzuschließen.



WARNUNG

DIE GESAMTE VERDRAHTUNG MUSS IN STRIKTER ÜBEREINSTIMMUNG MIT DEM SCHALTPLAN ERFOLGEN, DER SICH AUF DER RÜCKSEITE DER FRONTPLATTE DES INNENGERÄTS BEFINDET.

3. Schrauben Sie die Kabelklemme unterhalb des Klemmenblocks ab und legen Sie sie zur Seite.
4. Entfernen Sie mit Blick auf die Rückseite des Geräts die Kunststoffabdeckung an der linken unteren Seite.
5. Führen Sie die Signalleitung durch diesen Schlitz, von der Rückseite des Geräts zur Vorderseite.
6. Mit Blick auf die Vorderseite des Geräts schließen Sie die Drähte gemäß dem Schaltplan des Innengeräts an, schließen Sie die U-Kabelschuhe an und schrauben Sie jeden Draht fest an die entsprechende Klemme.



VORSICHT

LEBENDE UND NULL KABEL NICHT VERWECHSELN

Das ist gefährlich und kann in der Klimaanlage zu Fehlfunktionen führen.

7. Nachdem Sie überprüft haben, dass jede Verbindung sicher ist, befestigen Sie das Signalkabel mit der Kabelklemme am Gerät. Schrauben Sie die Kabelklemme fest an.
8. Bringen Sie die Kabelabdeckung auf der Vorderseite des Geräts und die Kunststoffabdeckung auf der Rückseite wieder an.



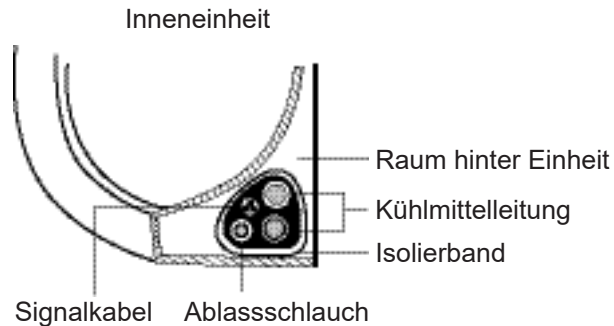
HINWEIS ÜBER VERKABELUNG

DIE VERBINDUNGEN KÖNNEN SICH BEI DEN EINHEITEN IN DER LAGE ETWAS UNTERSCHIEDEN:

Schritt 7: Umwickeln und Kabel

Vor den durchführen der Rohrleitungen, dem Ablaufschlauch und der Kabel, müssen Sie diese bündeln und sie zu schützen und um Platz zu sparen und diese zu isolieren (nicht anwendbar in Nordamerika).

1. Bündeln des Ablaufschlauches, der Kühlmittleitungen und des Signalkabels, wie unten dargestellt:



ABLAUFSCHLAUCH MUSS NACH UNTEN LIEGEN

Stellen Sie sicher, dass sich der Ablaufschlauch am unteren Ende des Bündels befindet. Wenn Sie den Ablaufschlauch oben im Bündel anbringen, kann die Ablaufwanne überlaufen, was zu Feuer oder Wasserschäden führen kann.

VERFLECHTEN SIE DAS SIGNALKABEL NICHT MIT ANDEREN KABELN.

Wenn Sie diese Elemente zusammenfassen, verflechten Sie das Signalkabel nicht mit anderen Kabeln.

2. Unter Verwendung eines selbstklebenden Vinylbands, befestigen Sie den Ablaufschlauch an der Unterseite der Kühlmittleitungen.
3. Wickeln Sie das Signalkabel, die Kühlmittleitungen und den Ablaufschlauch mit Isolierband fest zusammen. Überprüfen Sie noch einmal, ob alle Teile gebündelt sind.

DIE ROHRENDEN DÜRFEN NICHT UMWICKELT WERDEN

Lassen Sie beim Umwickeln des Bündels die Enden der Rohrleitungen unverpackt. Sie müssen auf sie zugreifen, um sie am Ende des Installationsvorgangs auf Lecks zu prüfen (siehe Elektrische Überprüfungen

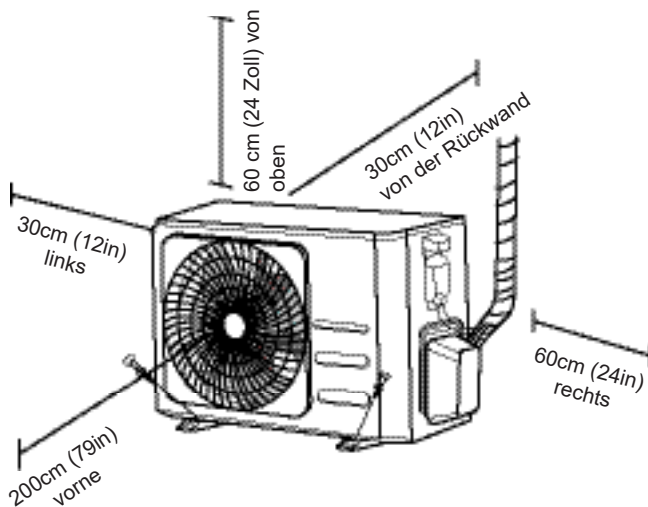
Schritt 8: Innengerät montieren

Wenn Sie neue Verbindungsrohre zum Außengerät installiert haben, gehen Sie wie folgt vor:

1. Wenn Sie bereits die Kühlmittleitung durch das Loch in der Wand geführt haben, gehen Sie zu Schritt 4.
2. Andernfalls überprüfen Sie, dass die Enden der Kühlmittelrohre abgedichtet sind, um zu verhindern, dass Schmutz oder Fremdmaterialien in die Rohre eintritt.
3. Führen Sie langsam das umwickelte Bündel von Kühlmittleitungen, Abflussschlauch und Signaldraht durch das Loch in der Wand.
4. Hängen Sie den oberen Teil der Inneneinheit auf der oberen Haken der Montageplatte.
5. Prüfen Sie, ob das Gerät fest in der Halterung eingehängt ist, indem Sie links und rechts leichten Druck auf das Gerät ausüben. Das Gerät darf nicht wackeln oder sich verschieben.
6. Drücken Sie mit gleichmäßigem Druck auf die untere Hälfte des Geräts. Drücken Sie weiter nach unten, bis das Gerät an den Haken an der Unterseite der Montageplatte einrastet.
7. Überprüfen Sie wiederum durch leichten Druck der linken und rechten Seite, dass die Einheit fest angebracht ist.

Installation der Außeneinheit

Installieren Sie die Einheit indem Sie örtlichen Vorschriften und Verordnungen folgen, dies kann sich leicht in verschiedenen Regionen unterscheiden.



Montageanleitung - Außeneinheit

Schritt 1: Installationsort wählen

Bevor Sie das Außengerät installieren, müssen Sie einen geeigneten Standort wählen. Im Folgenden finden Sie Normen, die Ihnen helfen, einen geeigneten Standort für das Gerät zu wählen.

Die richtigen Installationsorte erfüllen die folgenden Normen:

- Erfüllt alle räumlichen Anforderungen die in den Installationsanforderungen oben angezeigt werden.
- Gute Luftzirkulation und Ventilation
- Fest und solide - der Standort kann die Einheit tragen und vibriert nicht
- Lärm von der Einheit wird andere nicht stören
- Geschützt vor längerer direkter Sonneneinstrahlung oder Regen
- Wenn Schneefall zu erwarten ist, heben Sie das Gerät über die Grundplatte an, um Eisbildung und Schäden an der Spule zu vermeiden. Montieren Sie das Gerät so hoch, dass es über dem durchschnittlichen Schneefall in der Umgebung liegt. Die Mindesthöhe muss 18 Zoll betragen

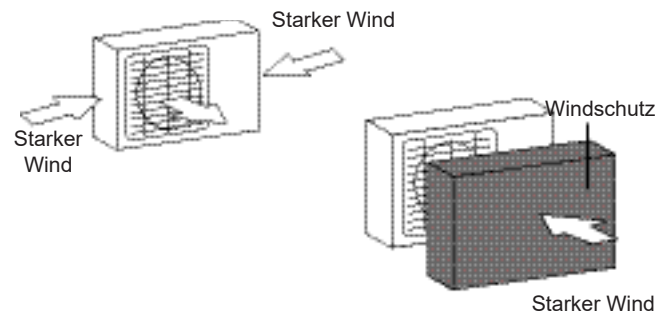
Installieren Sie das Gerät **NICHT** an den folgenden Orten:

- ⊘ In der Nähe eines Hindernisses, die Lufteinlässe und -ausgänge blockiert
- ⊘ In der Nähe einer öffentlichen Straße, überfüllten Bereichen, oder wo der Lärm der Einheit andere stören würde.
- ⊘ In der Nähe von Tieren oder Pflanzen, die durch die Heißluftentladung geschädigt werden könnten.
- ⊘ In der Nähe von brennbarem Gas
- ⊘ An einem Ort, der großen Mengen Staub ausgesetzt ist
- ⊘ An einem Ort mit einer übermäßigen Menge salzhaltiger Luft

BESONDERHEITEN FÜR EXTREME WETTERBEDINGUNGEN

Wenn die Einheit bei extremen Windbelastungen ausgesetzt ist:

Installieren Sie das Gerät so, dass der Luftauslassventilator in einem 90°-Winkel zur Windrichtung steht. Errichten Sie bei Bedarf eine Barriere vor dem Gerät, um es vor extrem starkem Wind zu schützen. Siehe Abbildung unten.



Wenn die Einheit häufig schwerem Regen oder Schnee ausgesetzt ist:

Bauen Sie einen Unterstand über dem Gerät, um es vor Regen oder Schnee zu schützen. Achten Sie darauf, den Luftstrom um das Gerät nicht zu behindern.

Wenn die Einheit häufig salzhaltiger Luft (Seeluft) ausgesetzt wird:

Verwenden Sie ein Außengerät, das speziell für den Schutz vor Korrosion ausgelegt ist.

Schritt 2: Ablaufstutzen installieren (nur Wärmepumpengerät)

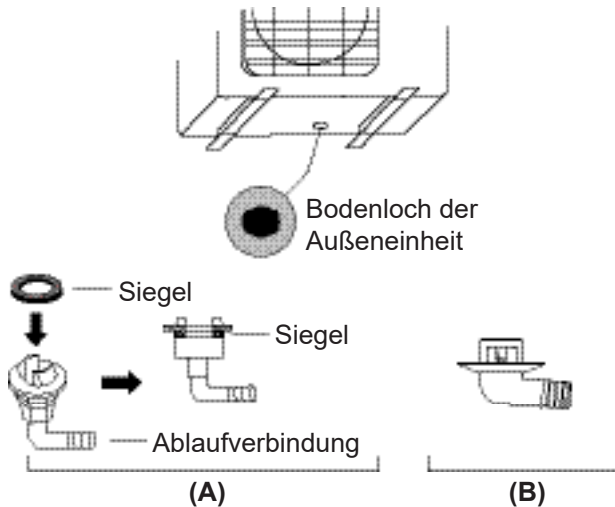
Bevor Sie das Außengerät festschrauben, müssen Sie den Ablaufstutzen an der Unterseite des Geräts installieren. Beachten Sie, dass es je nach Typ des Außengeräts zwei verschiedene Typen von Ablaufstutzen gibt.

Wenn die Ablaufverbindung mit einer Gummidichtung versehen ist (siehe Abb. A), gehen Sie wie folgt vor:

1. Montieren Sie die Gummidichtung am Ende der Ablaufverbindung, die mit der Außeneinheit verbunden wird.
2. Setzen Sie den Ablaufstutzen in das Loch in der Bodenwanne des Geräts ein.
3. Drehen Sie das Ablaufstück um 90°, bis es mit Blick auf die Vorderseite des Gerätes einrastet.
4. Schließen Sie eine Ablaufschlauchverlängerung (nicht im Lieferumfang enthalten) an die Ablaufverbindung an, um das Wasser aus dem Gerät während des Wärmen-Modus umzuleiten.

Wenn die Abflussverbindung nicht mit einer Gummidichtung ausgestattet ist (siehe Abb. B), gehen Sie wie folgt vor:

1. Stecken Sie die Ablaufgarnitur in das Loch in der Bodenwanne des Geräts. Der Ablaufstutzen rastet ein.
2. Schließen Sie eine Ablaufschlauchverlängerung (nicht im Lieferumfang enthalten) an die Ablaufverbindung an, um das Wasser aus dem Gerät während des Wärmen-Modus umzuleiten.

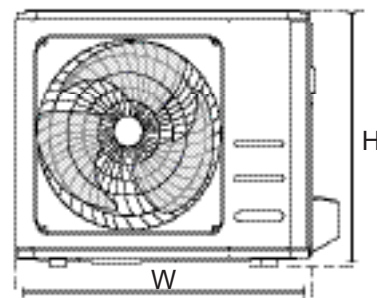
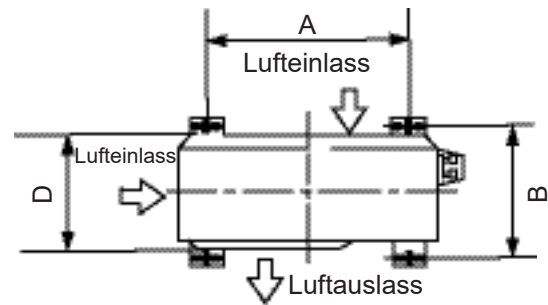


Schritt 3: Außengerät verankern

Das Außengerät kann am Boden oder an einer Wandhalterung mit Schraube (M10) verankert werden. Bereiten Sie den Montagesockel des Geräts gemäß den unten stehenden Abmessungen vor.

INSTALLATIONSMASSE DER EINHEIT

Im Folgenden finden Sie eine Liste der verschiedenen Außengerätegrößen und den Abstand zwischen ihren Montagefüßen. Bereiten Sie den Montagesockel des Geräts gemäß den unten aufgeführten Abmessungen vor.



! IN KALTEN KLIMAGEBIETEN

Achten Sie in kalten Klimazonen darauf, dass der Ablaufschlauch möglichst senkrecht verläuft, um einen schnellen Wasserabfluss zu gewährleisten. Wenn das Wasser zu langsam abläuft, kann es im Schlauch gefrieren und das Gerät überfluten.

Außengerät Abmessungen (mm) B × H × T	Einbaumaße	
	Abstand A (mm)	Abstand B (mm)
681 × 434 × 285 (26,8" × 17,1" × 11,2")	460 (18,1")	292 (11,5")
700 × 550 × 270 (27,5" × 21,6" × 10,6")	450 (17,7")	260 (10,2 Zoll)
700 × 550 × 275 (27,5" × 21,6" × 10,8")	450 (17,7")	260 (10,2 Zoll)
720 × 495 × 270 (28,3" × 19,5" × 10,6")	452 (17,7")	255 (10,0 Zoll)
728 × 555 × 300 (28,7" × 21,8" × 11,8")	452 (17,8")	302 (11,9 Zoll)
765 × 555 × 303 (30,1" × 21,8" × 11,9")	452 (17,8")	286 (11,3 Zoll)
770 × 555 × 300 (30,3" × 21,8" × 11,8")	487 (19,2")	298 (11,7 Zoll)
805 × 554 × 330 (31,7" × 21,8" × 12,9")	511 (20,1")	317 (12,5 Zoll)
800 × 554 × 333 (31,5" × 21,8" × 13,1")	514 (20,2")	340 (13,4 Zoll)
845 × 702 × 363 (33,3" × 27,6" × 14,3")	540 (21,3")	350 (13,8 Zoll)
890 × 673 × 342 (35,0" × 26,5" × 13,5")	663 (26,1")	354 (13,9 Zoll)
946 × 810 × 420 (37,2" × 31,9" × 16,5")	673 (26,5")	403 (15,9 Zoll)
946 × 810 × 410 (37,2" × 31,9" × 16,1")	673 (26,5")	403 (15,9 Zoll)

Wenn Sie das Gerät auf dem Boden oder auf einer Montageplattform aus Beton installieren, gehen Sie wie folgt vor:

1. Markieren Sie die Positionen für vier Spreizdübel basierend auf das Größendiagramm.
2. Vorbohren für die Spreizdübel.
3. Legen Sie eine Mutter auf das Ende jedes Spreizdübels.
4. Hämmern Sie die Spreizdübel in die vorgebohrten Löcher.
5. Entfernen Sie die Muttern von den Spreizdübeln und platzieren Sie die Außeneinheit auf die Spreizdübel.
6. Setzen Sie eine Unterlegscheibe auf jeden S Spreizdübel, dann die Muttern aufsetzen.
7. Mit einem Schraubenschlüssel jede Mutter handfest anziehen.

WARNUNG

WENN SIE IN BETON BOHREN- IST ZU JEDER ZEIT EIN AUGENSCHUTZ EMPFOHLEN.

Wenn Sie die Einheit an einer Wand montieren, um die Halterung zu installieren, gehen Sie wie folgt vor:

VORSICHT

Stellen Sie sicher, dass die Wand aus massivem Ziegelstein, Beton oder einem ähnlich starken Material besteht. Die Wand muss mindestens das Vierfache des Gewichts des Geräts tragen können.

1. Markieren Sie die Position der

Befestigungslöcher auf Basis der Abmessungen des Diagramms.

2. Vorbohren der Löcher für die Spreizdübel.
3. Eine Unterlegscheibe und Mutter auf das Ende jedes Spreizdübels legen.
4. Drücken Sie die Spreizdübel durch die Löcher in den Montagehalterungen, setzen Sie die Montagehalterungen in Position und hämmern Sie die Spreizdübel in die Wand.
5. Überprüfen Sie, ob die Montageklammern gerade sitzen.
6. Die Einheit sorgfältig anheben und deren Montagefüße auf die Halterung setzen.
7. Die Einheit fest mit der Halterung verschrauben.
8. Wenn es möglich ist, installieren Sie die Einheit mit den Gummidichtungen, um Vibrationen und Lärm zu reduzieren.

Schritt 4: Signal- und Leistungskabel anschließen

Der Klemmenblock des Außengeräts ist durch eine elektrische Verdrahtungsabdeckung an der Seite des Geräts geschützt. Auf der Innenseite der Verdrahtungsabdeckung ist ein umfassender Verdrahtungsplan aufgedruckt.

WARNUNG

SCHALTEN SIE VOR DER DURCHFÜHRUNG VON ELEKTRO- ODER VERDRAHTUNGSARBEITEN DIE HAUPTSTROMVERSORGUNG DES SYSTEMS AUS.

9. Bereiten Sie das Kabel für den Anschluss vor:

VERWENDEN SIE DIE RICHTIGEN KABEL

Bitte wählen Sie das richtige Kabel aus, siehe „Kabeltypen“ auf Seite 25.

WÄHLEN SIE DIE RICHTIGE GRÖSSE DES KABELS AUS

Die Größe des benötigten Stromversorgungskabels, Signalkabels, der Sicherung und des Schalters wird durch den maximalen Strom des Geräts bestimmt. Der maximale Strom ist auf dem Typenschild an der Seitenwand des Geräts angegeben.

HINWEIS: In Nordamerika wählen Sie bitte die richtige Kabelgröße entsprechend der auf dem Typenschild des Geräts angegebenen Mindeststrombelastbarkeit des Stromkreises.

- Ziehen Sie mit einer Abisolierzange den Gummimantel von beiden Kabelenden ab, so dass etwa 40 mm (1,57 Zoll) der Drähte im Inneren sichtbar werden.
- Entfernen Sie die Isolierung von den Kabelenden.
- Verwenden Sie eine Kabelzange, um die U-Laschen an den Kabelenden zu pressen.

ACHTEN SIE AUF LEBENDE KABEL

Achten Sie beim Crimpen von Drähten darauf, stellen Sie sicher, dass Sie den unter Strom stehenden („L“) Draht von anderen Drähten deutlich unterscheiden.

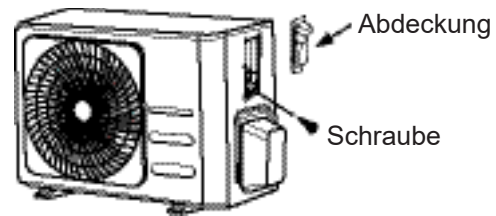


WARNUNG

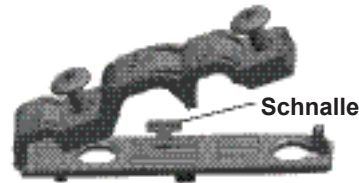
ALLE VERDRAHTUNGSARBEITEN MÜSSEN ENTSPRECHEND DEM VERDRAHTUNGSDIAGRAMM AUSGEFÜHRT WERDEN, DAS INNERHALB DER DRAHTABDECKUNG DES AUSSENGERÄTS LIEGT.

- Schrauben Sie die elektrische Kabelabdeckung ab und entfernen Sie diese.
- A Kabelklemme unterhalb der Klemmleiste abschrauben und zur Seite legen.
- Verbinden der Drähte gemäß Schaltplan, und festschrauben der U-Lasche jeden Drahtes an seinem entsprechenden Anschlusspunkt.
- Nach dem Überprüfen das jede Verbindung sicher ist, die Drähte zusammen drehen, um sicherzustellen, dass kein Regenwasser in das Terminal eindringt.
- Befestigen Sie das Kabel mit der Kabelklemme am Gerät. Schrauben Sie die Kabelklemme fest an.
- Isolieren Sie nicht verwendete Leitungen mit PVC-Elektroband. Verlegen Sie sie so, dass sie keine elektrischen oder metallischen Teile berühren.
- Die Abdeckung wieder auf die Seite der Einheit setzen, und festschrauben.

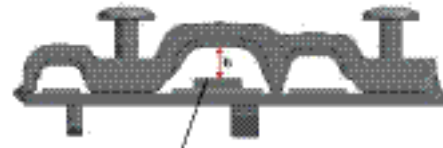
17.



HINWEIS: Wenn die Kabelklemme wie folgt aussieht, wählen Sie bitte die entsprechende Durchgangsbohrung entsprechend dem Durchmesser des Drahtes.



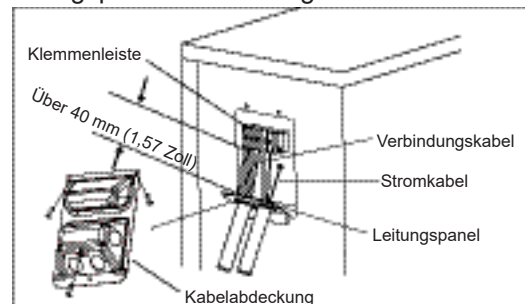
Drei Größen Loch: Klein, Groß, Mittel



Wenn die Klemme nicht ausreichend befestigt ist, verwenden Sie die Schnalle, um sie zu stützen, damit sie fest eingespannt werden kann.

In Nordamerika

- Entfernen Sie die Kabelabdeckung von der Einheit, indem Sie die 3 Schrauben lösen.
- Demontieren Sie die Schutzkappen an der Leitungsplatte.
- Montieren Sie die Rohrschläuche (nicht im Lieferumfang enthalten) vorübergehend an dem Leitungspanel.
- Schließen Sie die Stromversorgungs- und Niederspannungsleitungen ordnungsgemäß an die entsprechenden Klemmen am Klemmenblock an.
- Erdung der Einheit erfolgt entsprechend den örtlichen Vorschriften.
- Stellen Sie sicher, dass die Kabel so dimensioniert werden, dass sie einige Zoll länger sind als die für die Verdrahtung erforderliche Länge.
- Verwenden Sicherungsmuttern um die Leitungspanele zu befestigen.



Bitte wählen Sie die passende Durchgangsbohrung entsprechend dem Drahtdurchmesser.

Anschluss von Kühlmittleitungen

Lassen Sie beim Anschluss der Kältemittleitungen keine anderen Stoffe oder Gase als das angegebene Kältemittel in das Gerät gelangen. Das Vorhandensein anderer Gase oder Substanzen senkt die Leistung des Geräts und kann einen abnormal hohen Druck im Kältekreislauf verursachen. Dies kann zu Explosionen und Verletzungen führen.

Hinweis zur Rohrlänge

Die Länge der Kältemittleitungen wirkt sich auf die Leistung und Energieeffizienz des Geräts aus. Der nominale Wirkungsgrad wird an Geräten mit einer Rohrlänge von 5 Metern (16,5 ft) getestet (in Nordamerika beträgt die Standardrohrlänge 7,5 m (25')). Eine Mindestrohrlänge von 3 Metern ist erforderlich, um Vibrationen und übermäßige Geräusche zu minimieren. In speziellen tropischen Gebieten kann bei den Modellen mit R290-Kältemittel kein Kältemittel hinzugefügt werden, und die maximale Länge der Kältemittleitung sollte 10 Meter (32,8 ft) nicht überschreiten.

In der folgenden Tabelle finden Sie Angaben zur maximalen Länge und Fallhöhe der Rohrleitungen.

Maximale Länge und Fallhöhe der Kältemittleitungen pro Modelleinheit

Modell	Kapazität (BTU/h)	max. Länge (m)	max. Fallhöhe (m)
R410A, R32 Inverter Split-Klimaanlage	<15.000	25 (82 ft)	10 (33ft)
	≥ 15,000 und < 24,000	30 (98,5ft)	20 (66ft)
	≥ 24,000 und < 36,000	50 (164ft)	25 (82ft)
R22 Split-Klimaanlage mit fester Drehzahl	<18.000	10 (33ft)	5 (16ft)
	≥ 18,000 und < 21,000	15 (49ft)	8 (26ft)
	≥ 21,000 und < 35,000	20 (66ft)	10 (33ft)
R410A, R32 Split-Klimaanlage mit fester Drehzahl	<18.000	20 (66ft)	8 (26ft)
	≥ 18,000 und < 36,000	25 (82ft)	10 (33ft)

Anschlussanleitung - Kältemittleitung

Schritt 1: Rohre schneiden

Achten Sie bei der Vorbereitung der Kältemittleitungen besonders darauf, dass sie richtig geschnitten und gebördelt werden. Dies gewährleistet einen effizienten Betrieb und minimiert den Bedarf an zukünftiger Wartung.

1. Messen Sie den Abstand zwischen den Innen- und Außeneinheiten.
2. Schneiden Sie das Rohr mit einem Rohrschneider etwas länger als die gemessene Entfernung ab.
3. Stellen Sie sicher, dass das Rohr in einem perfekten Winkel von 90 ° geschnitten ist.



⚠ Verformen Sie das Rohr **NICHT** während des Schneidens

Seien Sie besonders vorsichtig, damit das Rohr beim Schneiden nicht beschädigt, verbeult oder verformt wird. Dadurch wird die Heizleistung des Geräts drastisch reduziert.

Schritt 2: Grate entfernen

Grate können die luftdichte Abdichtung des Kältemittel-Rohrleitungsanschlusses beeinträchtigen. Sie müssen vollständig entfernt werden.

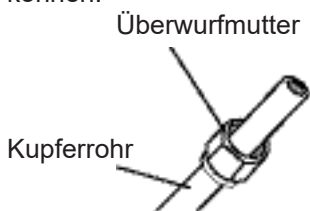
1. Halten Sie das Rohr in einem nach unten gerichteten Winkel, um zu verhindern, dass Grate in das Rohr fallen.
2. Entfernen Sie mit einer Reibahle oder einem Entgratwerkzeug alle Grate aus dem geschnittenen Abschnitt des Rohrs.



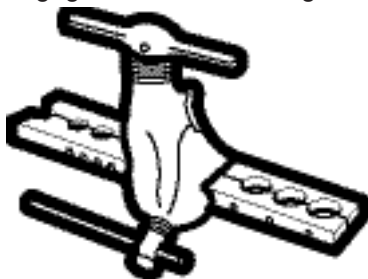
Schritt 3: Rohrenden aufbördeln

Um eine luftdichte Versiegelung zu erreichen, ist ein korrektes Bördeln unerlässlich.

1. Nach dem Entfernen von Graten aus dem geschnittenen Rohr, verschließen Sie die Enden mit PVC-Band, um zu verhindern, dass Fremdkörper in das Rohr gelangen.
2. Das Rohr mit Isoliermaterial ummanteln.
3. Setzen Sie die Bördelmuttern auf beide Enden des Rohrs. Achten Sie darauf, dass sie in die richtige Richtung zeigen, da Sie sie nach dem Bördeln nicht mehr aufsetzen oder ihre Richtung ändern können.

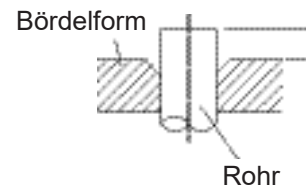


4. Entfernen Sie das PVC-Klebeband von den Rohrenden, wenn Sie bereit sind, Bördelarbeiten durchzuführen.
5. Klemmen Sie die Bördelform auf das Ende des Rohrs. Das Ende des Rohrs muss über den Rand der Bördelform gemäß den in der Tabelle unten angegebenen Abmessungen hinausragen.



ROHRLEITUNGSVERLÄNGERUNG ÜBER DIE BÖRDELFORM HINAUS

Außendurchmesser des Rohres (mm)	A (mm)	
	Min.	Max.
ø6,35 (ø0,25")	0,7 (0,0275 Zoll)	1,3 (0,05 Zoll)
ø9,52 (ø0,375")	1,0 (0,04 Zoll)	1,6 (0,063 Zoll)
ø12,7 (ø0,5")	1,0 (0,04 Zoll)	1,8 (0,07 Zoll)
ø16 (ø0,63")	2,0 (0,078 Zoll)	2,2 (0,086 Zoll)
ø19 (ø0,75")	2,0 (0,078 Zoll)	2,4 (0,094 Zoll)



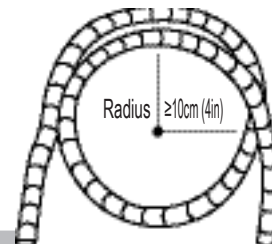
6. Legen Sie das Bördelwerkzeug auf die Form.
7. Drehen Sie den Griff des Bördelwerkzeugs im Uhrzeigersinn, bis das Rohr vollständig aufbördelt ist.
8. Entfernen Sie das Bördelwerkzeug und die Bördelform und prüfen Sie dann das Rohrende auf Risse und gleichmäßige Bördelung.

Schritt 4: Rohre verbinden

Achten Sie beim Anschließen der Kältemittelleitungen darauf, kein übermäßiges Drehmoment anzuwenden oder die Leitungen in irgendeiner Weise zu verformen. Sie sollten zuerst die Niederdruckleitung und dann die Hochdruckleitung anschließen.

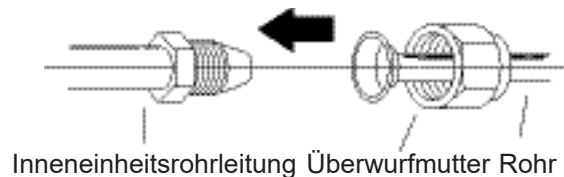
MINIMALER BIEGRADIUS

Beim Biegen von Kältemittelleitungen beträgt der Mindestbiegeradius 10 cm.

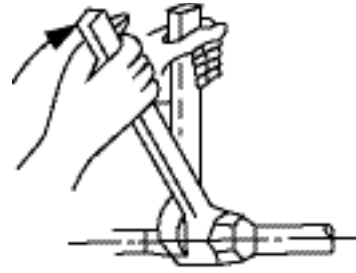


Anweisungen zum Anschließen der Rohrleitungen an das Innengerät

1. Richten Sie die Mitte der beiden Rohre aus, die Sie verbinden möchten.



- Ziehen Sie die Überwurfmutter von Hand so fest wie möglich an.
- Fassen Sie die Mutter mit einem Schraubenschlüssel an der Geräterohrleitung an.
- Ziehen Sie die Bördelmutter mit einem Drehmomentschlüssel an, während Sie die Mutter am Geräteschlauch festhalten, und zwar gemäß den Drehmomentwerten in der Tabelle „Drehmomentanforderungen“ unten. Lösen Sie die Bördelmutter leicht und ziehen Sie sie dann wieder fest.



DREHMOMENTANFORDERUNGEN

Außendurchmesser des Rohres (mm)	Anzugsmoment (N·m)	Aufweitungsmaß (B) (mm)	Bördelform
ø6,35 (ø0,25")	18~20 (180~200kgf.cm)	8,4~8,7 (0,33~0,34")	
ø9,52 (ø0,375")	32~39 (320~390kgf.cm)	13,2~13,5 (0,52~0,53")	
ø12,7 (ø0,5")	49~59 (490~590kgf.cm)	16,2~16,5 (0,64~0,65")	
ø16 (ø0,63")	57~71 (570~710kgf.cm)	19,2~19,7 (0,76~0,78")	
ø19 (ø0,75")	67~101 (670~1010kgf.cm)	23,2~23,7 (0,91~0,93")	

KEIN ÜBERMÄSSIGES DREHMOMENT VERWENDEN

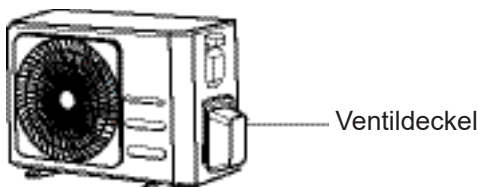
Eine zu hohe Kraft kann die Mutter brechen oder die Kältemittelleitungen beschädigen. Sie dürfen die in der obigen Tabelle angegebenen Drehmomentanforderungen nicht überschreiten.

Anweisungen zum Anschließen der Rohrleitungen an das Außengerät

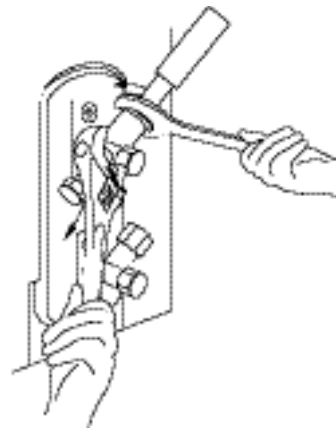
- Schrauben Sie die Abdeckung vom verpackten Ventil an der Seite des Außengeräts ab.
- Entfernen Sie die Schutzkappen von den Ventilen.
- Richten Sie das aufgeweitete Rohrende an jedem Ventil aus und ziehen Sie die Überwurfmutter so fest wie möglich von Hand an.
- Greifen Sie mit einem Schraubenschlüssel in den Ventilkörper. Greifen Sie nicht die Mutter, die das Serviceventil abdichtet.
- Lösen Sie die Bördelmutter leicht und ziehen Sie sie dann wieder an.
- Wiederholen Sie die Schritte 3 bis 6 für das verbleibende Rohr.

BENUTZEN SIE DEN SCHLÜSSEL, UM DEN HAUPTVENTILKÖRPER ZU GRIFFEN

Das Anzugsmoment der Überwurfmutter kann andere Teile des Ventils abbrechen.



- Ziehen Sie die Überwurfmutter mit einem Drehmomentschlüssel fest und mit den richtigen Drehmomenten an.



Luftablass

Vorbereitungen und Vorsichtsmaßnahmen

Luft und Fremdkörper im Kältemittelkreislauf können einen abnormalen Druckanstieg verursachen, der das Klimagerät beschädigen, seine Effizienz verringern und Verletzungen verursachen kann. Verwenden Sie eine Vakuumpumpe und ein Verteilermanometer, um den Kältemittelkreislauf zu evakuieren und alle nicht kondensierbaren Gase und Feuchtigkeit aus dem System zu entfernen.

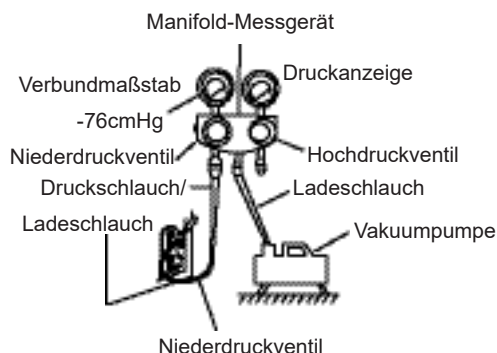
Die Evakuierung sollte bei der Erstinstallation und beim Umstellen des Geräts durchgeführt werden.

VOR DER DURCHFÜHRUNG DER EVAKUIERUNG

- Überprüfen Sie, ob die Verbindungsleitungen zwischen den Innen- und Außengeräten richtig angeschlossen sind.
- Überprüfen Sie, ob alle Kabel richtig angeschlossen sind.

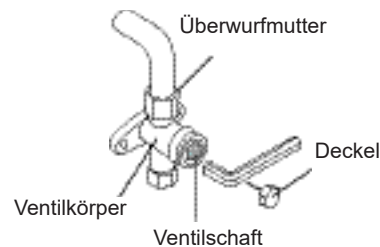
Entlüftungsanweisungen

1. Schließen Sie den Füllschlauch des Manifold-Messgeräts an den Serviceanschluss am Niederdruckventil der Außeneinheit an.
2. Schließen Sie einen weiteren Füllschlauch vom Manifold-Messgerät an die Vakuumpumpe an.
3. Öffnen Sie die Niederdruckseite des Verteilermessgeräts. Halten Sie die Hochdruckseite geschlossen.
4. Schalten Sie die Vakuumpumpe ein, um das System zu entlüften.
5. Lassen Sie das Vakuum mindestens 15 Minuten lang laufen oder bis das Compound-Messgerät -76 cmHG (-105 Pa) anzeigt.



6. Schließen Sie die Niederdruckseite des Manifold-Messgeräts und schalten Sie die Vakuumpumpe aus.
7. Warten Sie 5 Minuten und prüfen Sie, ob sich der Systemdruck nicht geändert hat.

8. Wenn sich der Systemdruck ändert, lesen Sie den Abschnitt „Gasleckprüfung“, um zu erfahren, wie Sie auf Lecks prüfen können. Wenn sich der Systemdruck nicht ändert, schrauben Sie die Kappe vom Füllventil (Hochdruckventil) ab.
9. Führen Sie den Sechskantschlüssel in das gepackte Ventil (Hochdruckventil) ein und öffnen Sie das Ventil durch Drehen des Schlüssels in einer 1/4-Umdrehung gegen den Uhrzeigersinn. Hören Sie, ob Gas aus dem System austritt, und schließen Sie dann das Ventil nach 5 Sekunden.
10. Beobachten Sie das Manometer eine Minute lang, um sicherzustellen, dass sich der Druck nicht verändert. Das Manometer sollte etwas mehr als den atmosphärischen Druck anzeigen.
11. Entfernen Sie den Füllschlauch vom Serviceanschluss.



12. Öffnen Sie mit einem Sechskantschlüssel sowohl das Hochdruck- als auch das Niederdruckventil vollständig.
13. Ziehen Sie die Ventilkappen an allen drei Ventilen (Serviceanschluss, Hochdruck, Niederdruck) von Hand an. Sie können sie bei Bedarf mit einem Drehmomentschlüssel weiter anziehen.

! ÖFFNEN SIE VENTILSTEUERUNG SANFT

Drehen Sie beim Öffnen von Ventilschäften den Sechskantschlüssel, bis er gegen den Anschlag stößt. Versuchen Sie nicht, das Ventil mit Gewalt weiter zu öffnen.

Hinweis zum Hinzufügen von Kühlmittel

Einige Systeme erfordern je nach Rohrlänge eine zusätzliche Aufladung. Die Standard-Rohrlänge variiert je nach den örtlichen Vorschriften. In Nordamerika beträgt die Standard-Rohrlänge z. B. 7,5 m (25').

In anderen Bereichen beträgt die Standardrohrlänge 5 m (16'). Das Kältemittel sollte über den Serviceanschluss am Niederdruckventil des Außengeräts eingefüllt werden. Das zusätzlich zu füllende Kältemittel kann mit der folgenden Formel berechnet werden:

ZUSÄTZLICHES KÄLTEMITTEL PRO ROHRLÄNGE

Verbindungsrohrlänge (m)	Luftspülmethode	Zusätzliches Kältemittel	
≤ Standardrohrlänge	Vakuumpumpe	N/A	
> Standardrohrlänge	Vakuumpumpe	Flüssige Seite: ø6,35 (ø0,25") R32: (Rohrlänge - Standardlänge) x 12 g/m (Rohrlänge - Standardlänge) x 0,13 oz/ft R290: (Rohrlänge - Standardlänge) x 10g/m (Rohrlänge - Standardlänge) x 0,13 oz/ft R410A: (Rohrlänge - Standardlänge) x 15g/m (Rohrlänge - Standardlänge) x 0,16 oz/ft R22: (Rohrlänge - Standardlänge) x 20g/m (Rohrlänge - Standardlänge) x 0,13 oz/ft	Flüssige Seite: ø9,52 (ø0,375") R32: (Rohrlänge - Standardlänge) x 24g/m (Rohrlänge - Standardlänge) x 0,13 oz/ft R290: (Rohrlänge - Standardlänge) x 18g/m (Rohrlänge - Standardlänge) x 0,19 oz/ft R410A: (Rohrlänge - Standardlänge) x 30g/m (Rohrlänge - Standardlänge) x 0,32 oz/ft R22: (Rohrlänge - Standardlänge) x 40g/m (Rohrlänge - Standardlänge) x 0,42 oz/ft

Für die Kältemittelseinheit R290 beträgt die Gesamtmenge des einzufüllenden Kältemittels nicht mehr als: 387 g (9000 Btu/h und 12000 Btu/h und 18000 Btu/h und ≤ 24000 Btu/h).



VORSICHT Kältemitteltypen bitte **NICHT** mischen.

Überprüfung auf Elektro- und Gas-Lecks

Vor dem Testlauf

Führen Sie den Testlauf erst aus, nachdem Sie die folgenden Schritte ausgeführt haben:

- Elektrische Sicherheitsprüfungen - Überprüfen Sie, ob die Einheit über die elektrische Anlage sicher ist und einwandfrei funktioniert
- Gaslecksuche- Überprüfen Sie alle Anschlüsse der Bördelmutter und stellen Sie sicher, dass das System nicht leckt
- Stellen Sie sicher, dass die Gas- und Flüssigkeitsventile (Hoch- und Niederdruck) vollständig geöffnet sind.

Elektrische Sicherheitsprüfungen

Vergewissern Sie sich nach der Installation, dass alle elektrischen Kabel gemäß den örtlichen und nationalen Bestimmungen und gemäß der Installationsanleitung installiert sind.

VOR DEM TESTLAUF

Prüfen Sie Erdungsarbeiten

Messen Sie den Erdungswiderstand durch visuelle Erkennung und mit dem Erdungswiderstandsmessgerät. Der Erdungswiderstand muss kleiner als $0,1 \Omega$ sein.

Hinweis: Für einige Standorte in Nordamerika ist dies möglicherweise nicht erforderlich.

WÄHREND DES PROBELAUFES

Prüfen Sie auf elektrische Leckagen

Verwenden Sie während des **Testlaufs** eine Elektrosonde und einen Multimeter, um einen umfassenden Stromlecktest durchzuführen.

Wenn ein elektrischer Leckstrom entdeckt wird, schalten Sie die Einheit sofort aus und wenden Sie sich an einen autorisierten Elektriker, um die Ursache des Lecks zu ermitteln und zu beheben.

Hinweis: Für einige Standorte in Nordamerika ist dies möglicherweise nicht erforderlich.



WARNUNG -

STROMSCHLAGGEFAHR

ALLE VERKABELUNGEN MÜSSEN GEMÄSS DER ÖRTLICHEN UND NATIONALEN ELEKTRISCHEN RICHTLINIEN AUSGEFÜHRT UND VON EINEM QUALIFIZIERTEN ELEKTRIKER INSTALLIERT WERDEN.

Gas-Lecksuche

Es gibt zwei verschiedene Methoden, um auf Gaslecks zu prüfen

Die Wasser und Seife Methode

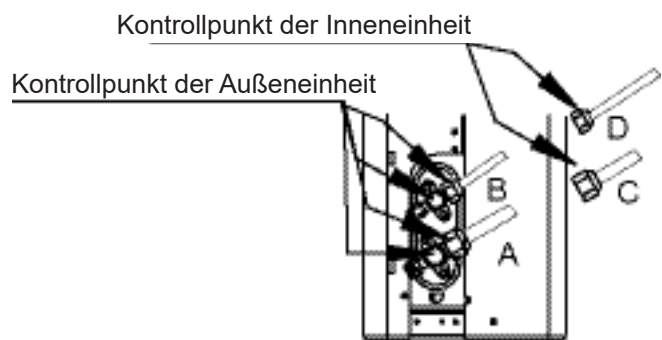
Tragen Sie mit einer weichen Bürste Seifenwasser oder flüssiges Reinigungsmittel auf alle Rohrverbindungsstellen am Innengerät und Außengerät auf. Das Vorhandensein von Blasen weist auf ein Leck hin.

Leckprüfmethoden

Wenn Sie einen Leckdetektor verwenden, finden Sie in der Betriebsanleitung des Geräts die richtige Gebrauchsanweisung.

NACH DER DURCHFÜHRUNG DER GASLECKSUCHE

Nachdem Sie sich vergewissert haben, dass alle Rohrverbindungsstelle **DICHT** sind, bringen Sie den Ventildeckel an der Außeneinheit wieder an.



Kontrollpunkt der Inneneinheit

Kontrollpunkt der Außeneinheit

- A: Niederdruck-Sperrventil
- B: Hochdruck-Sperrventil
- C & D: Bördelmuttern der Inneneinheit

Testlauf

Testlaufanweisungen

Sie sollten den Testlauf für mindestens 30 Minuten durchführen.

- Schließen Sie Stromversorgung der Einheit.
- Drücken Sie die ON/OFF (EIN/AUS)-Taste auf der Fernbedienung, um diese einzuschalten.
- Drücken Sie die MODE (MODUS)-Taste, um durch die folgenden Funktionen zu blättern, einen nach der anderen:
 - COOL (KÜHLEN) - Wählen Sie möglichst niedrige Temperatur
 - HEAT (HEIZEN) - Wählen Sie eine möglichst hohe Temperatur
- Lassen Sie jede Funktion für 5 Minuten laufen, und führen Sie die folgenden Prüfungen durch:

Liste der Prüfungen die durchzuführen sind:	BESTANDEN / NICHT BESTANDEN	
Keine elektrisches Leck		
Gerät ist ordnungsgemäß geerdet		
Alle elektrischen Anschlüsse sind ordnungsgemäß abgedeckt		
Innen- und Außeneinheiten sind fest installiert		
Alle Rohrverbindungsstellen laufen nicht aus	Außen (2):	Innen (2):
Wasser läuft richtig durch den Ablaufschlauch		
Alle Rohrleitungen richtig isoliert		
Einheit führt COOL (KÜHLEN)-Funktion richtig aus		
Einheit führt WÄRMEN-Funktion richtig aus		
Inneneinheit Lüftungsklappen drehen sich richtig		
Inneneinheit reagiert auf die Fernbedienung		

Rohrverbindungen wurden ZWEIMAL ÜBERPRÜFT

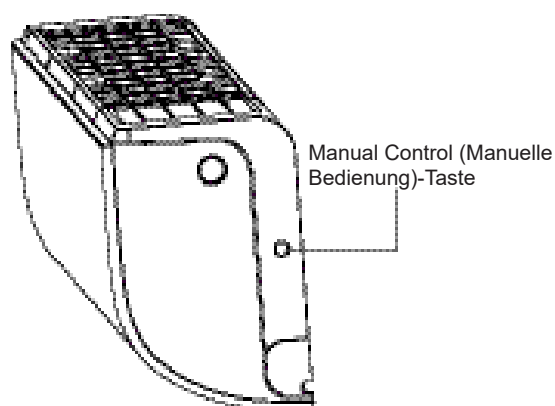
Während des Betriebs steigt der Druck im Kältemittelkreislauf an. Dadurch können Lecks aufgedeckt werden, die bei der ersten Dichtheitsprüfung nicht vorhanden waren. Nehmen Sie sich während des Testlaufs Zeit, um zu überprüfen, ob alle Anschlussstellen der Kältemittelleitungen undicht sind. Anweisungen dazu finden Sie im Abschnitt „Gasleckprüfung“.

- Nachdem der Testlauf erfolgreich abgeschlossen ist, und Sie bestätigen können, dass alle Prüfungspunkte in Liste die Checks bestanden haben, gehen Sie wie folgt vor:
 - Bringen Sie das Gerät mit der Fernbedienung wieder auf normale Betriebstemperatur.
 - Umwickeln Sie die Kältemittelleitungsanschlüsse im Innenbereich, die Sie bei der Installation des Innengeräts nicht abgedeckt haben, mit Isolierband.

WENN DIE UMGEBUNGSTEMPERATUR UNTER 17 °C (62°F) LIEGT

Sie können die Fernbedienung nicht verwenden, um die KÜHL-Funktion zu aktivieren, wenn die Umgebungstemperatur unter 17 °C liegt. In diesem Fall können Sie mit der Taste MANUELLE BEDIENUNG die KÜHL-Funktion testen.

- Die Taste MANUELLER BETRIEB befindet sich an der rechten Seitenwand des Geräts.
- Drücken Sie die Taste 2 Mal, um die Funktion COOL zu wählen.
- Probelauf wie Normal.



Impedanzinformationen

(Gilt nur für einige Länder des Nahen Ostens)

Dieses Gerät MSAEB-09HRN1-QC8 kann nur an eine Versorgung angeschlossen werden, deren Systemimpedanz nicht mehr als $0,459 \Omega$ beträgt. Wenden Sie sich ggf. an Ihre Versorgungsbehörde, um Informationen zur Systemimpedanz zu erhalten.

Dieses Gerät MSAEB-12HRN1-QC8 kann nur an eine Versorgung angeschlossen werden, deren Systemimpedanz nicht mehr als $0,389 \Omega$ beträgt. Wenden Sie sich ggf. an Ihre Versorgungsbehörde, um Informationen zur Systemimpedanz zu erhalten.

Dieses Gerät MSAEC-15HRN1-QC8 kann nur an eine Versorgung angeschlossen werden, deren Systemimpedanz nicht mehr als $0,330 \Omega$ beträgt. Wenden Sie sich ggf. an Ihre Versorgungsbehörde, um Informationen zur Systemimpedanz zu erhalten.

Dieses Gerät MSAED-18HRN1-QC8 kann nur an eine Versorgung angeschlossen werden, deren Systemimpedanz nicht mehr als $0,215 \Omega$ beträgt. Wenden Sie sich ggf. an Ihre Versorgungsbehörde, um Informationen zur Systemimpedanz zu erhalten.

Änderungen der Konstruktion und der technischen Daten zum Zweck der Produktverbesserung sind ohne vorherige Ankündigung möglich. Wenden Sie sich an die Vertriebsstelle oder den Hersteller, um Einzelheiten zu erfahren. Alle Aktualisierungen des Handbuchs werden auf die Service-Website hochgeladen, bitte prüfen Sie die neueste Version.

CS005UI-AE(C)

1. Product model/product:

Product Split Type Air Conditioners
Model/type Inverter high wall split unit
Batch/Serial no. MSAEBU-12HRFN7-QRD6GW/MOX330-12HFN7-QRD6GW set

2. Manufacturer/Authorised Representative

Name Midea Europe GmbH
Address Ludwig-Erhard-Straße 14, 65760 Eschborn, Germany

This declaration is issued under the sole responsibility of the manufacturer.

3. Object of declaration:

Product Split Type wall mounted Air-Conditioner
Specification Cooling & Heating, Inverter Type

THE PRODUCT IS IN CONFORMITY WITH THE FOLLOWING STANDARDS:

LVD -<2014/35/EU >

EN 60335-2-40:2003+A11:2004+A12:2005+A1:2006+A2:2009+A13:2012

EN 60335-1:2012+A11:2014+A13:2017+A1:2019+A14:2019+A2:2019, EN 62233: 2008

EMC - <2014/30/EU >

EN 55014-1:2017, EN 55014-2:2015, EN IEC 61000-3-2:2019, EN 61000-3-3:2013/A1:2019

ERP - <2009/125/EC · 2017/1369/EU>

EC Regulation 206/2012: 2012-03-06

EC Regulation 626/2011: 2011-05-04

EN 14825:2016 , EN 12102:2017

RoHS < 2011/65/EU & (EU) 2015/863>

Test reports:

64111200548301 (LVD Test Report)

64711200548301 (EMC Test Report)

Issued by: TÜV SÜD Certification and Testing (China) Co., Ltd. Guangzhou Branch

DOC

Signed for and on behalf of : Midea Europe GmbH

Place of issue: Eschborn, Germany

Date of issue: 26th, May, 2021

Name : Robin Wang

Function: Product Manager

Signature: 



Midea Europe GmbH
Ludwig-Erhard-Straße 14
65760 Eschborn
Tel.: +49 6916 90 20 100
Fax: +49 6196 90 20 120

