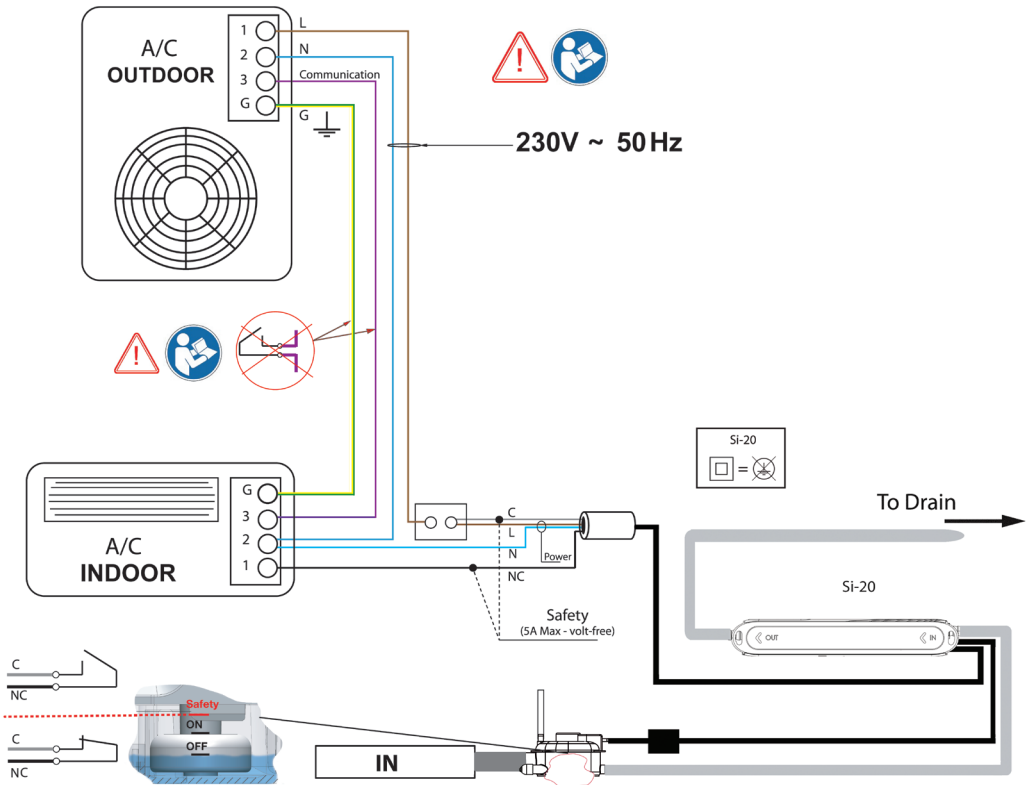


Si-20 (230 V ~ 50 Hz) Split & Multisplit System



Si-20 (230 V ~ 50 Hz) VRF System

